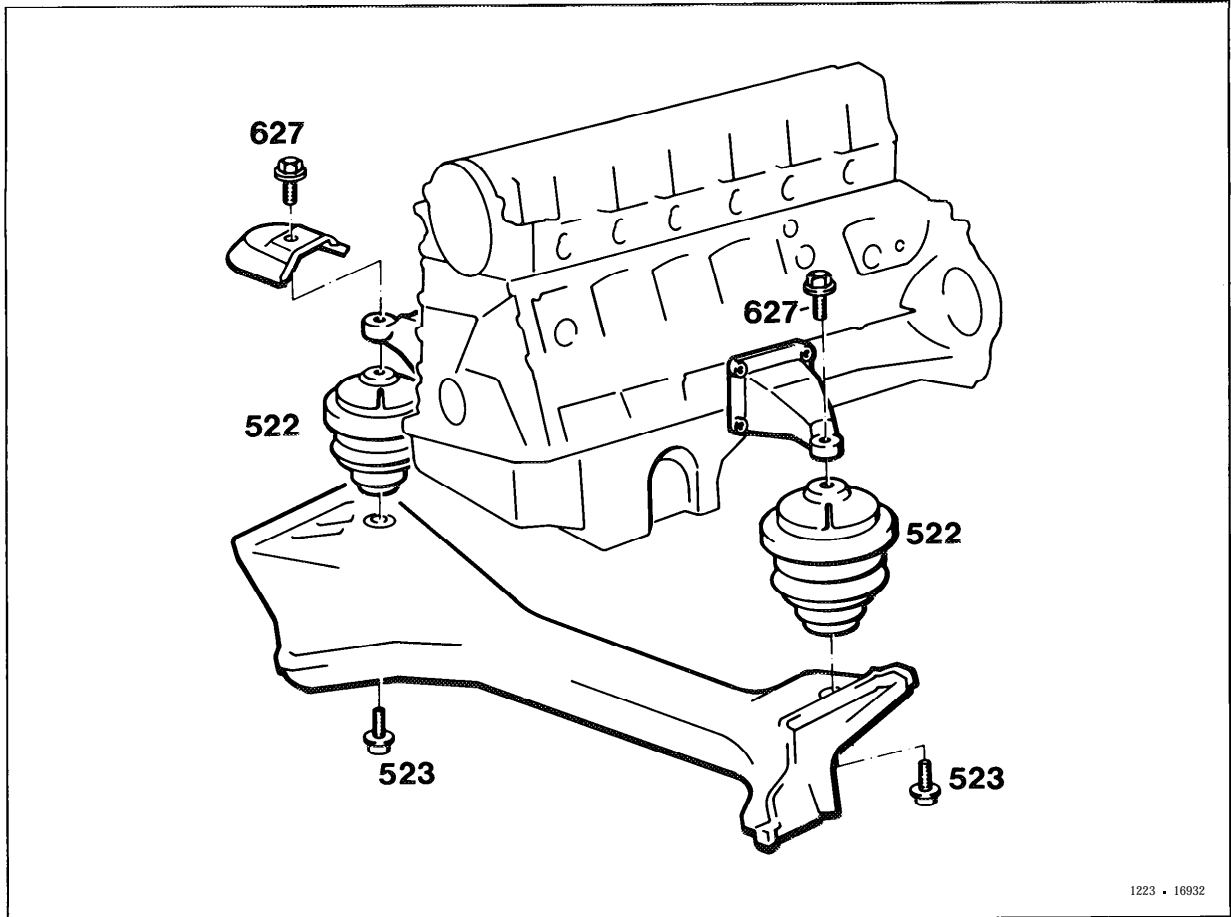




Job No.

Removing, installing front engine mounts .....	22 - 211
Removing, installing rear engine mounts .....	- 212
Rear engine mount (Freeway hop) Model 124 USA .....	- 213
Setting engine stop, Model 124 4MATIC .....	- 220

Model 124



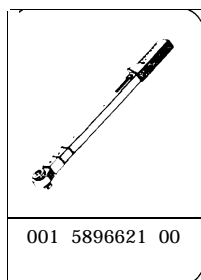
1223 • 16932

Wood .....	raise to vertical position (01-008).
Ground cable to battery .....	detach, attach.
Air scoop .....	remove, install.
Fan cowl .....	detach, attach.
Engine compartment covering below .....	remove, install.
Bolts (627) .....	unscrew, screw in, tightening torque 55 Nm (steps 5 and 7). Pay attention to installation instruction.
Engine .....	raise, lower.
Bolts (523) .....	unscrew, tighten, tightening torque 40 Nm (step 9).
Engine mount (522) .....	remove, install.

## **Tightening torques**

	N m
Hexagon socket bolts for engine mounts to frame cross member	40
Hexagon bolt for engine mounts to engine support	55

## **Special tool**



## **Removal, installation**

- 1 Raise hood to vertical position (01-008).
- 2 Detach ground cable at battery.
- 3 Detach air scoop from air filter.
- 4 Detach fan cowl and place over the fan.

### **Installation instruction**

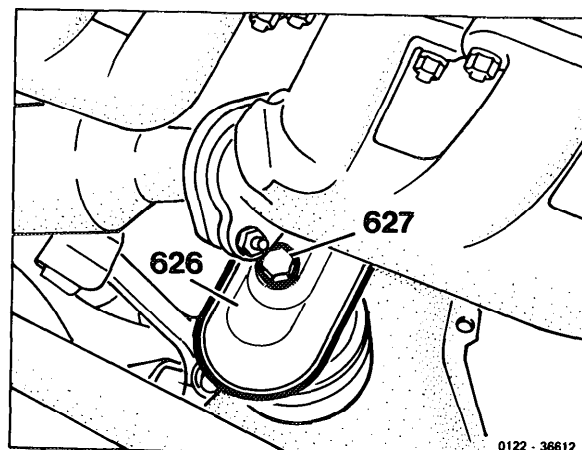
Introduce retaining catches into the mounts on the radiator.

- 5 Unscrew bolt (627) on the right engine mount from above, tightening torque 55 Nm.

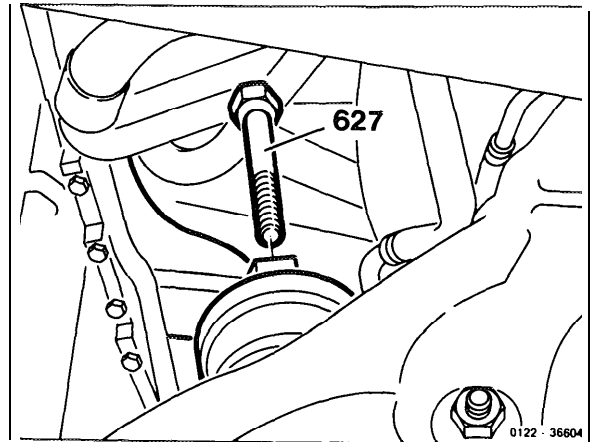
### **Note**

A shield (626) is inserted above the right engine support.

- 6 Remove engine compartment covering below.

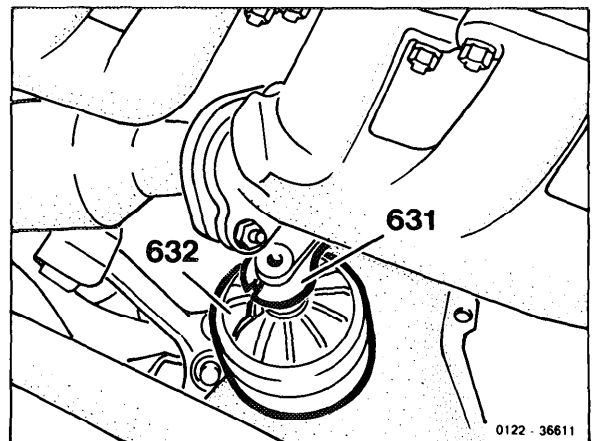


7 Unscrew bolt (627) on left engine mount, tightening torque 55 Nm.



### Installation instruction

Anti-twist lock (632) on left and right engine mounts must engage into the retaining slot of the engine support.



8 Attach engine to the front suspension lock and raise slightly, paying attention to the rear suspension lock, oil filter and coolant hoses.

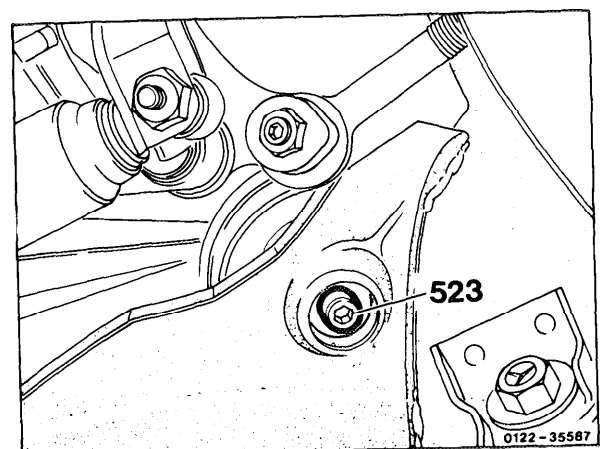
9 Unscrew bolts (523) on the left and right front engine mounts from below, tightening torque 40 Nm.

4MATIC: unscrew 2 bolts from below.

10 Take out engine mount.

### Note

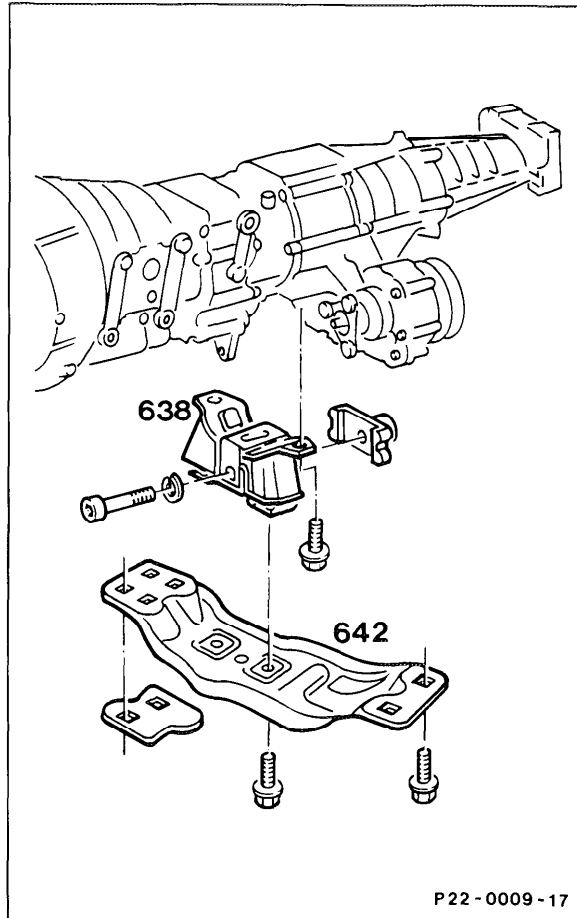
The engine mounts on the left and right are identical.



## 22-212 Removing, installing rear engine mounts

Job No. of job texts and job values or standard  
texts and flat rates .....

### Model 124 4MATIC



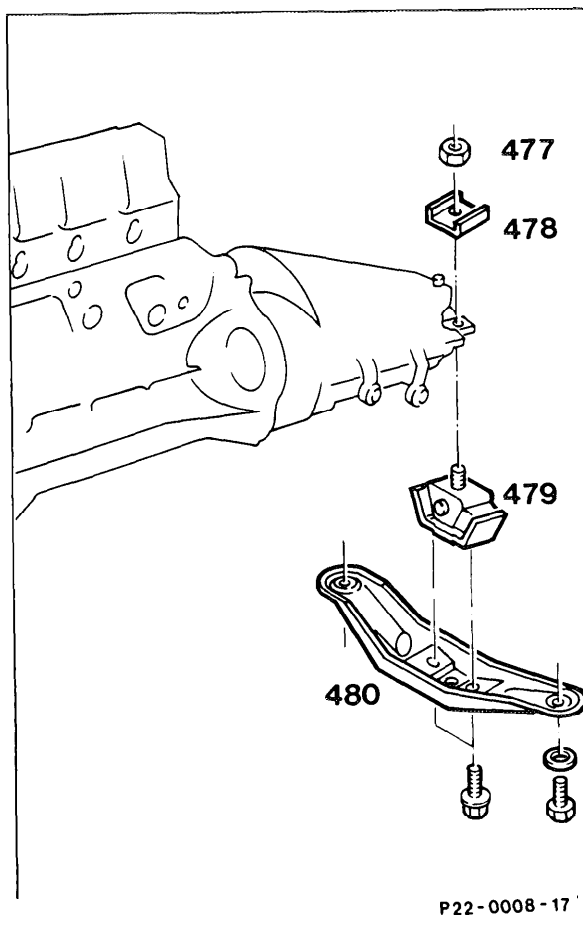
Transmission .....	support.
Engine support (642) .....	remove, install, M8 (20 Nm), M10 (40 Nm), torque wrench 001 589 66 21 00.
Engine mount (638) .....	remove, install, torque wrench 001 589 66 21 00.

#### Note

If the rear engine mount on 4MATIC cars is renewed, the engine stop must be stress-relieved after approx. 1000 km or 10000 km distance, respectively (22-220).

**Model 124**

**Model 124 USA (retrofitted)**

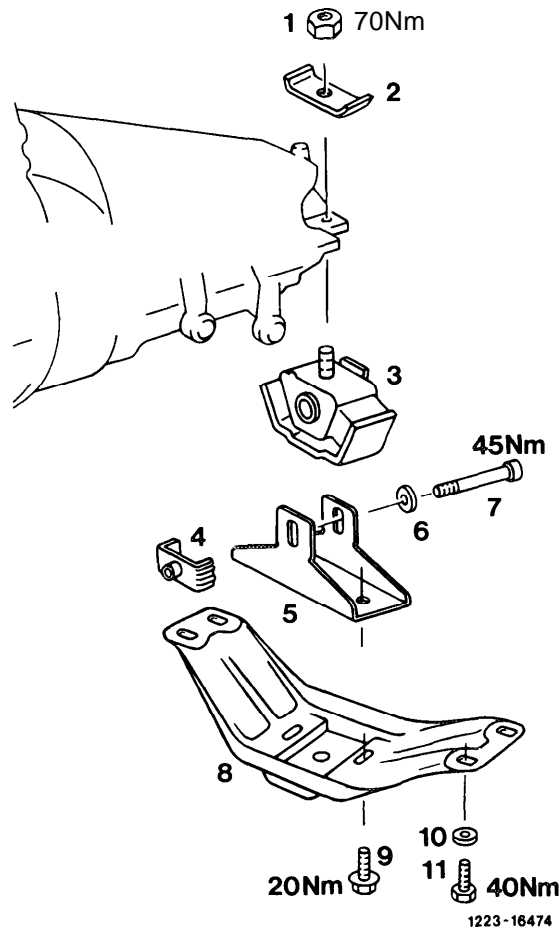


Transmission .....	support.
Engine support (480) or (8) .....	remove, install, M8 (20 Nm), M10 (40 Nm), torque wrench 001 589 66 21 00.
Engine mount (479) or (3) with bracket (5)	remove, install, nut (477) or (1) 70 Nm, bolt (7) 45 Nm. Torque wrench 001 589 66 21 00.

**Note**  
 If the rear engine mount with stop limit (Freeway hop) is renewed, the engine stop must be set after 1000 km and after approx. 10000 km distance (22-213).

## 22-213 Rear engine mount (Freeway hop) Model 124 USA

Job No. of job texts and job values or standard  
texts and flat rates .....



1	Flat nut	7	Adjusting screw 10.9
2	Packing	8	Engine support
3	<b>Engine</b> mount	9	Screw-and-washer assy.
4	Nut	10	Washer
5	Bracket	11	Bolt
6	Washer		

The rear engine mount with variable engine stop and higher load carrying capacity can be installed if complaints are received regarding engine vibration on roads with transverse grooves (Freeway hop).



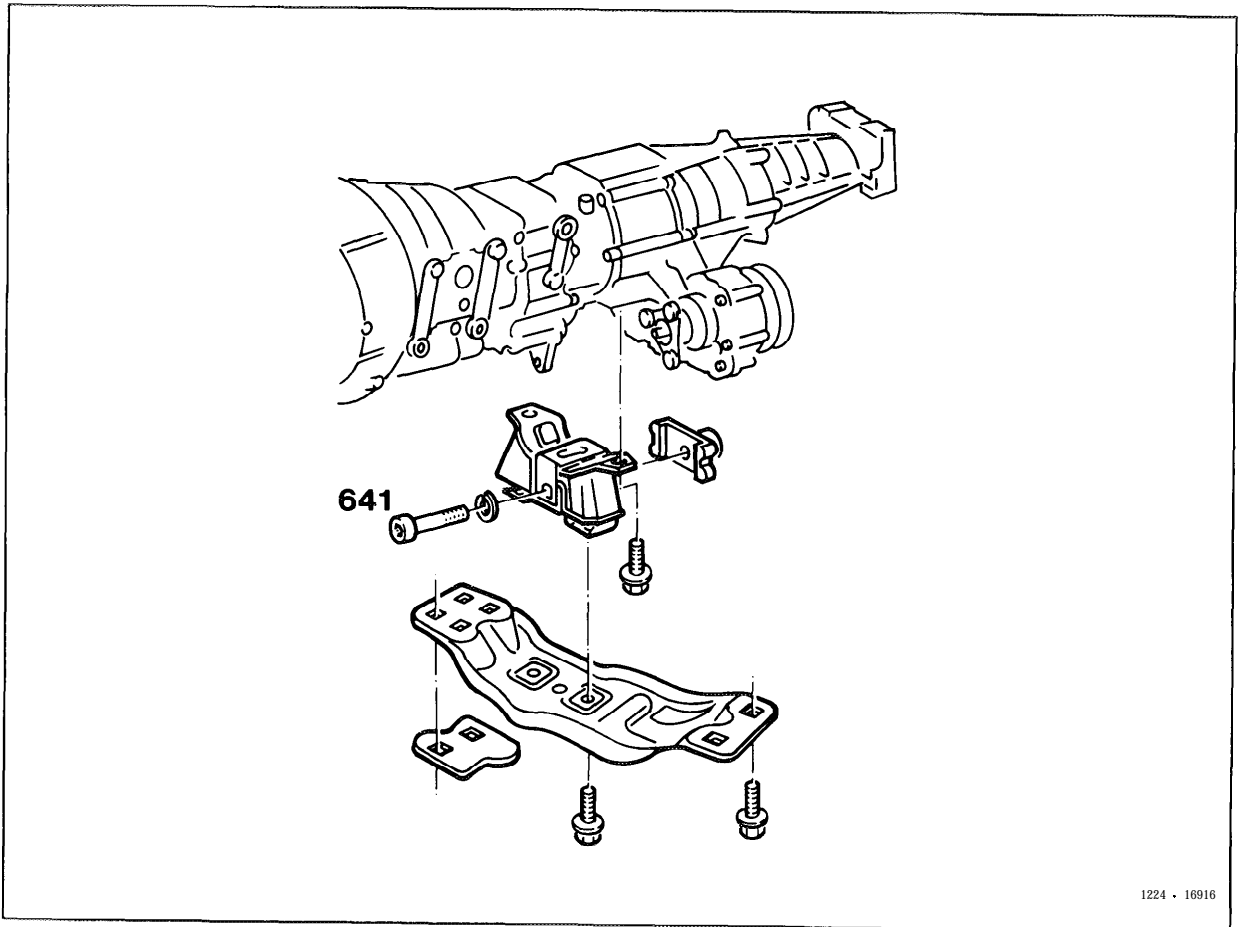
If this engine mount is installed, the engine stop must be set after approx. 1000 and after 10000 km distance.

## **Setting**

---

- 1 Slacken adjusting screw **(7)** on rear engine mount completely.
- 2 Move engine by shaking back and forward by hand.
- 3 Tighten adjusting screw **(7)** on rear engine mount.

**22-220 Setting engine stop, Model 124 4MATIC**



1224 · 16916

- |       |        |       |   |
|-------|--------|-------|---|
| Screw | (641)  | ..... | slacken.  |
| Start | engine | ..... | depress accelerator pedal sharply several times to allow the engine stop to adjust. |
| Screw | (641)  | ..... | tighten, 45 Nm.<br>Torque wrench 001 589 66 21 00.                                  |