

## 54-541 Removal and installation of actuator

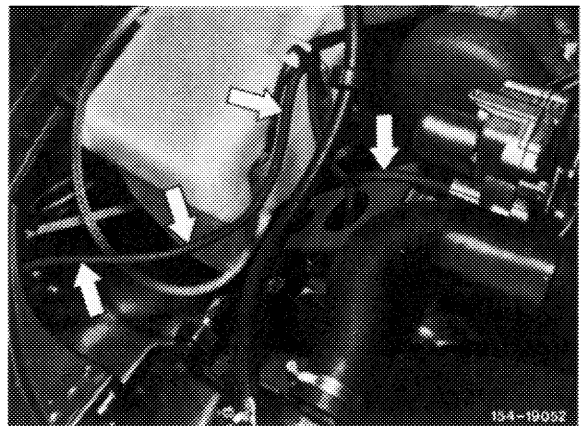
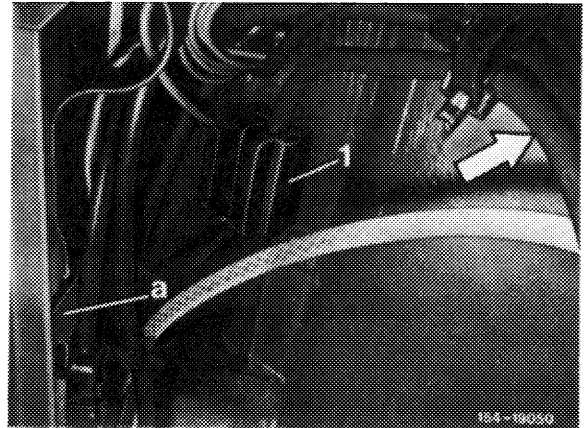
B. Models 107.025/026/045/046/047/048  
126.03/04

### Removal

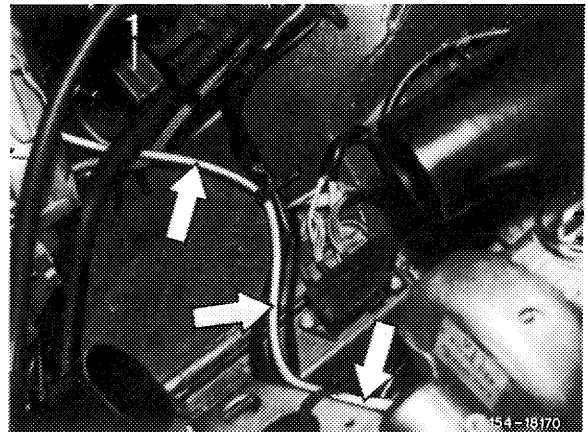
1 Separate plug connection (1) and loosen harness of actuator.

Models 107.025/026/045/046/047/048

- 1 Plug connection
- a Radiator supporting frame inside right



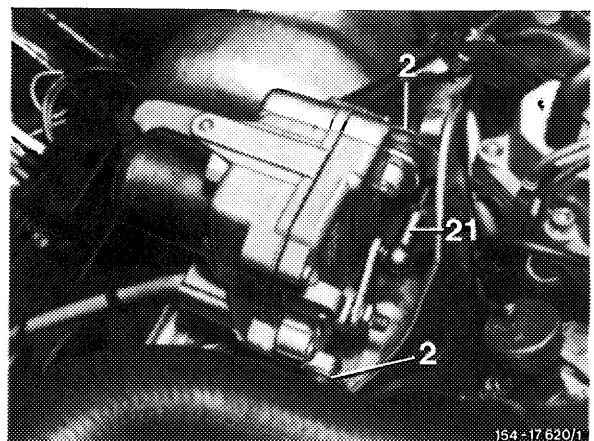
Models 107.025/026/045/046/047/048

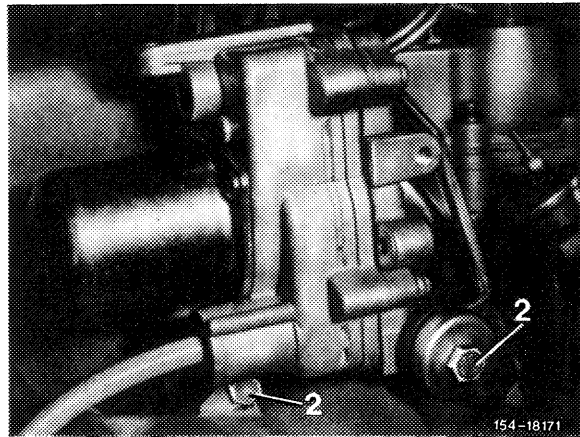


Models 126.03/04

2 Disconnect connecting rod (21) on actuator.

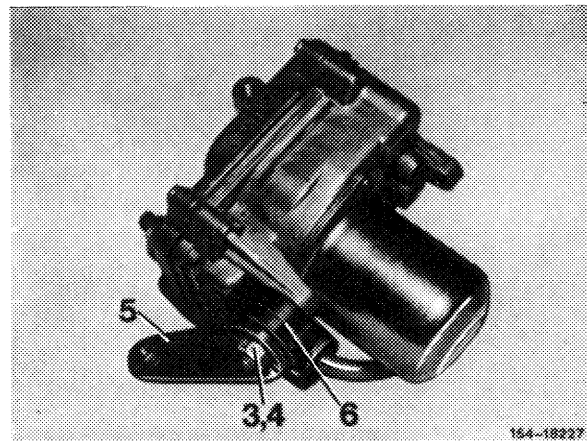
3 Unscrew screws (2) and remove actuator.





4 Loosen nut (3) with washer (4) for holder (5).  
Then unscrew rubber mount (6) with holder (5) from  
actuator.

5 Remove lever from actuator.



### Installation

6 Turn output shaft of actuator opposite to direction  
of arrow against stop. Mount lever (7) and secure nut.

7 For installation proceed vice versa. Make sure that  
rubber mount (6) is not distorted.

8 Adjust connecting rod (21) (54-561).

9 Perform function test on road.

