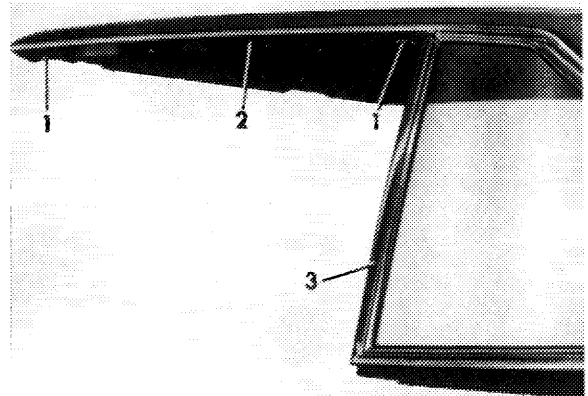


Removal

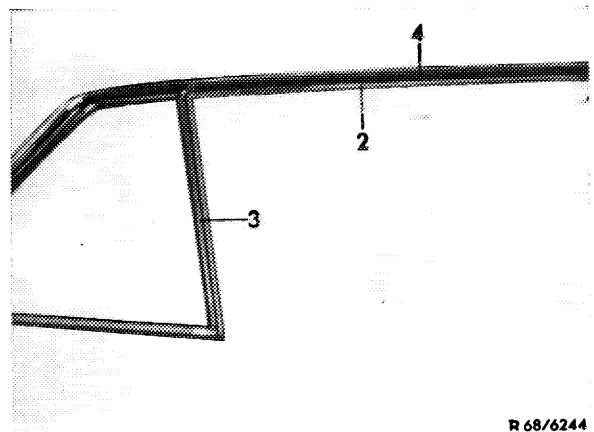
- 1 Remove sealing strip top and rear.
- 2 Unscrew two screws (1) from weather strip (2).
- 3 Remove weather strip (2) together with ornamental frame (3) from side window.



R 68/6243

Installation

- 4 For installation proceed vice versa, but watch out for plastic support (4).



R 68/6244