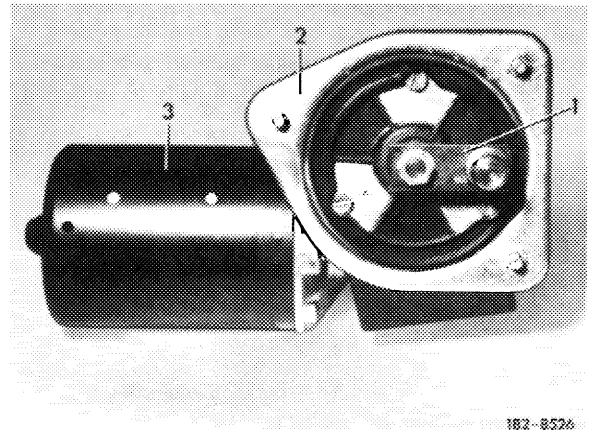


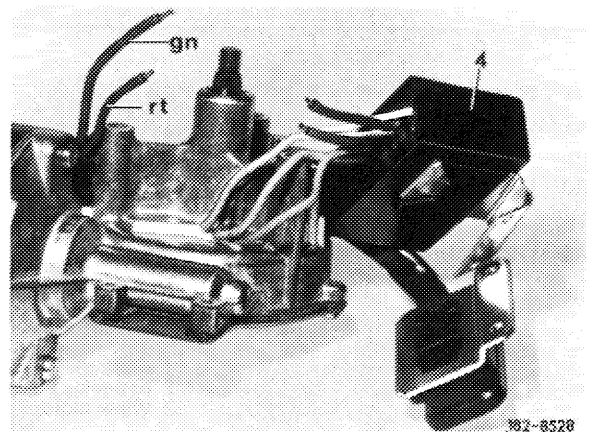
Removal

- 1 Remove wiper motor.
- 2 Mark crank position in relation to shaft, loosen hex. nut and remove crank (1).
- 3 Unscrew screws of fastening plate (2) and remove fastening plate.
- 4 Unscrew angle bracket with impulse switch and plug connection.



182-8526

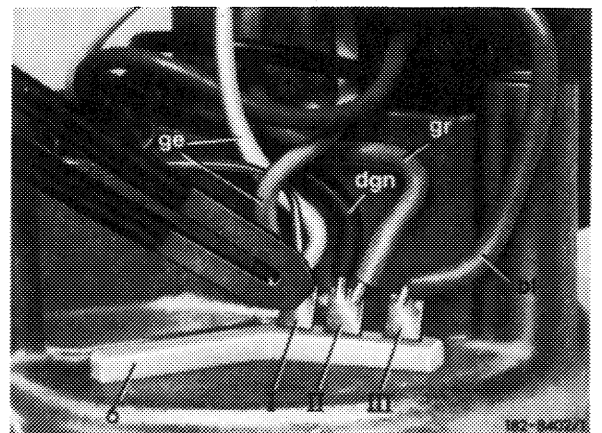
- 5 Separate green and red lines leading into wiper motor, strip ends and tin.



182-8528

- 4 Impulse switch
gn green
rt red

- 6 Unsolder yellow, grey and blue lines from soldering lugs of insulating part.
- 7 Cut red and green lines ("B and D") of new impulse switch to approx. 70 mm length: strip ends and tin.

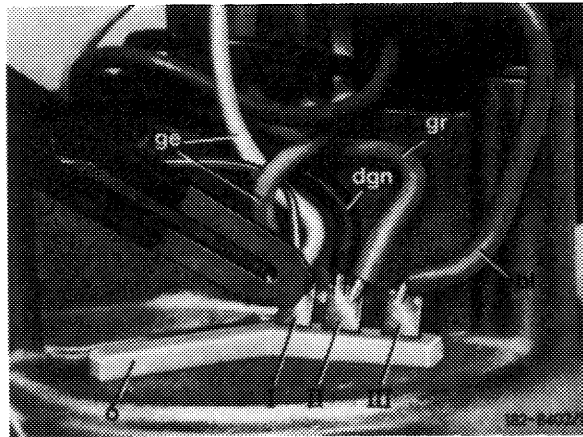


182-84524

- 6 Insulating part
I Soldering lug – yellow lines and grounding wire
II Soldering lug – grey and dark green line
III Soldering lug – blue line

8 Slip one insulating hose each 40 mm long over red and green lines leading into wiper motor. Then insert these lines into one soldering sleeve each (tubular rivets A 3 x 0.25 x 10, DIN 7340 MS) and solder to respective lines "B" and "D" of impulse switch. Then slip insulating hoses over soldering sleeve.

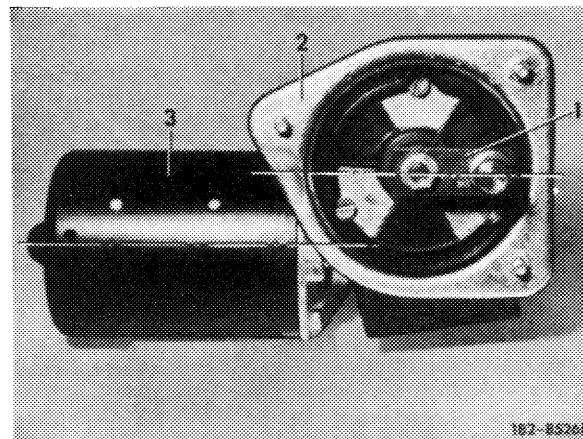
9 Solder yellow, grey and blue lines of impulse switch to soldering lugs. Make sure that the ground connecting wire is additionally soldered to soldering lug I and the dark green line additionally to soldering lug II.



Installation

10 Screw angle bracket with impulse switch as well as fastening plate to wiper motor.

11 If mark of former crank position can still be seen, mount crank accordingly. If not, run motor into parking position, adjust crank and screw down.

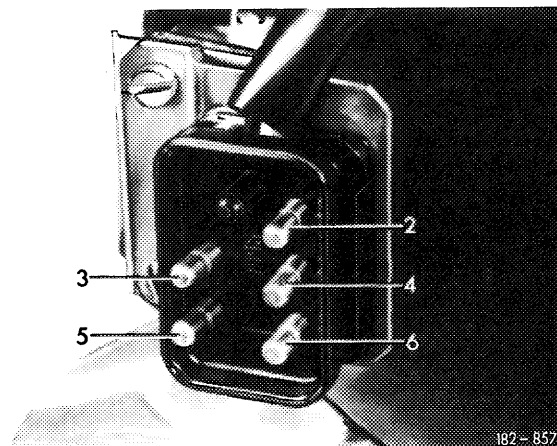


- 1 Crankshaft
- 2 Fastening plate
- 3 Wiper motor

Testing wiper motor prior to installation

12 Connect a positive and a negative line to a 12-volt battery. Clamp positive line to plug pin No. 3, negative line to plug pin No. 6.

Connect an additional line to positive pole of battery and hold other end of this line against plug pins No. 2, 4 and 5 one after the other.



- Plug pin No. 2: connection for slow
- Plug pin No. 4: connection for fast
- Plug pin No. 5: connection for interval