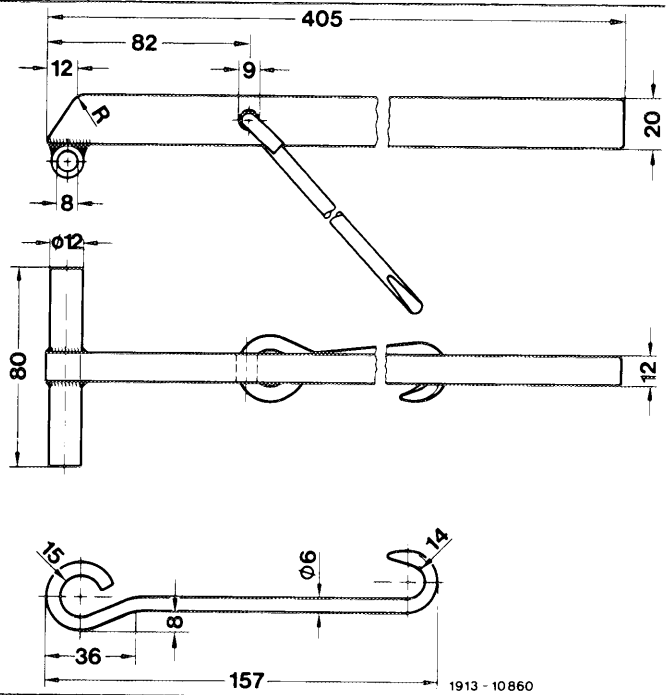


91-130 Removal and installation of seat height adjuster (with lateral control lever)

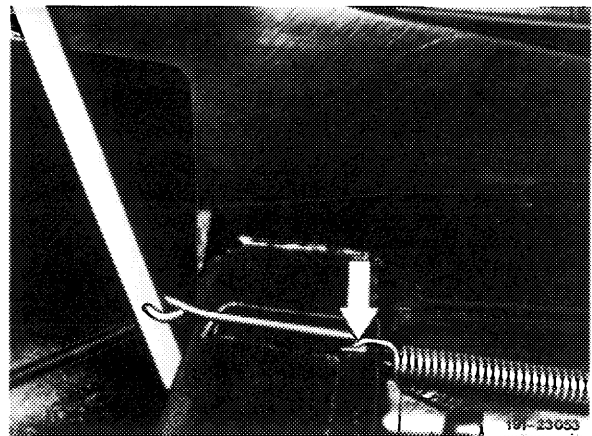
Tool for local manufacture

Spring tensioner

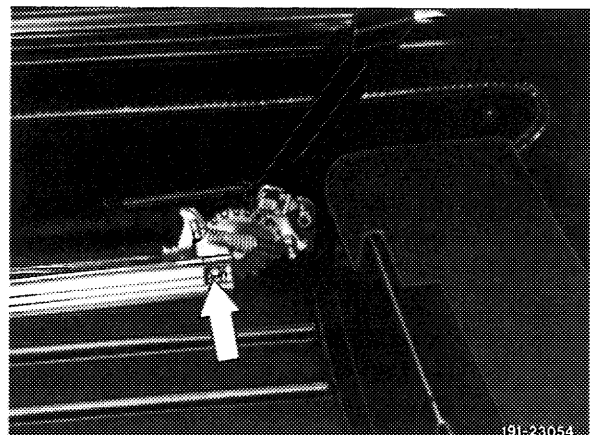


Removal

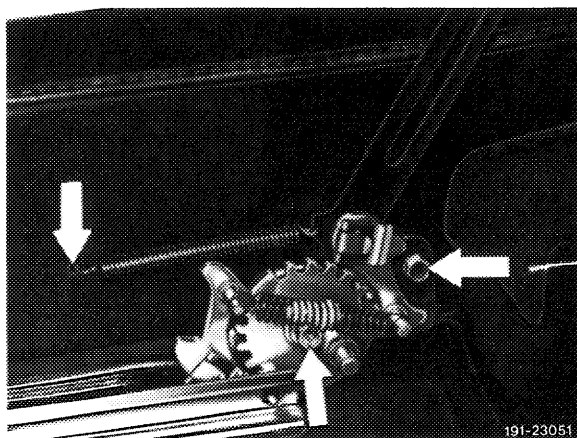
- 1 Remove 2nd version driver's seat (91-100).
- 2 Manufacture spring tensioner acc. to drawing.
- 3 Using spring tensioner, disengage return spring at cross member.



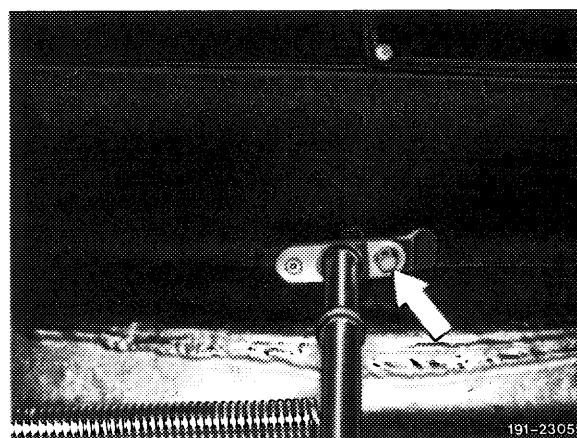
- 4 Remove lock from forward end of connecting rod and detach the latter.



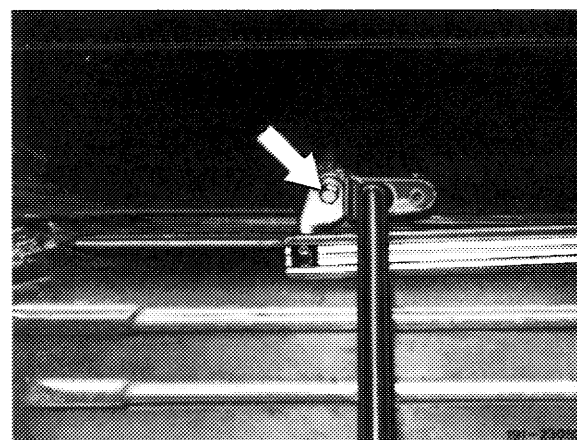
5 Disengage return spring at side member, unscrew securing screws of seat height adjusting mechanism and remove adjusting mechanism.



6 Screw out of the tunnel the screw of the connecting tube mount.



7 Turn screw of mount out of side member and take out connecting tube.



Installation

8 For installation proceed vice versa.

Note: The securing screws of the seat height adjuster are micro-encapsulated. They must either be renewed or be locked with bolt locking compound. In order to avoid malfunctions of the seat height adjuster, install it free of tension.