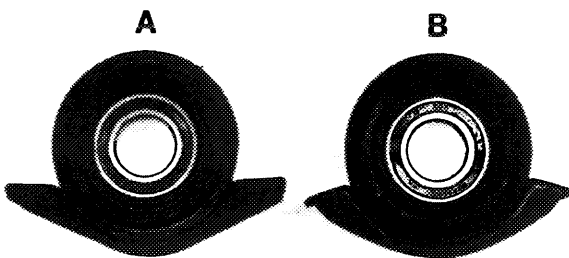


Propeller shaft

Model 107

Model 107 uses a 2 piece propeller shaft with 60 mm diameter tubing the entire length.

The center support bearing mounting to the floor was changed to be compatible with a model 124 version support bearing (Fig. 41/1).



141-31019

Fig. 41/1

- A = previous version
- B = current version

The positioning shoulder for the centering sleeve is no longer used. For repairs, refer to the table indicating the correct press-fit dimension "a".

The outside diameter of the sleeve is now 31 mm instead of 32 mm.

Model	Dimension "a" Centering sleeve to propeller shaft flange	
	front	rear
107.048	20.4 mm	24 mm

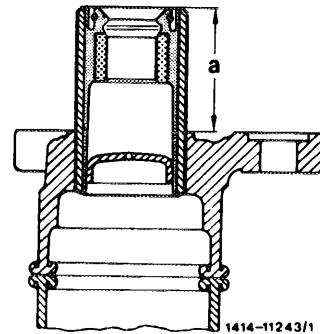


Fig. 41/2