

INDEX

Click on the number to go to schematic or component location

1982 SALES DESIGNATIONS	MODEL
380 SL	107.045

INDEX - Alphabetical Listing of Electrical Circuits

	SCHEMATIC		SCHEMATIC
Air Injection Management ...	109	Lights (continued)	
Automatic Antenna	127	—Glove Box	111
Automatic Climate Control...	132	—Hazard	116
Auxiliary Fan	123	—Headlights	112
Charging System	110	—Instrument Cluster	122
Cigar Lighter	127	—License	115
Clock	120	—Marker	115
Cruise Control	113	—Park	114
Fuel Delivery	107	—Rear Dome	111
√ Fuse Information	102	—Stop	113
Gauges	118	—Tail	114
Ground Distribution	129	—Trunk	115
Heated Seats	128	—Turn Signal	116
Horns	123	√ Power Distribution	104
Idle Speed Stabilization	109	Power Windows	126
Ignition	107	Radio	127
Lambda Control	108	Rear Defogger	125
Lights		Start	106
—Backup	111	Tachometer	118
—Center Console	122	Transmission Kickdown	107
—Courtesy	121	Warning Indicators	118
—Fog Lights	112	Warning System	117
		Wiper/Washer	124

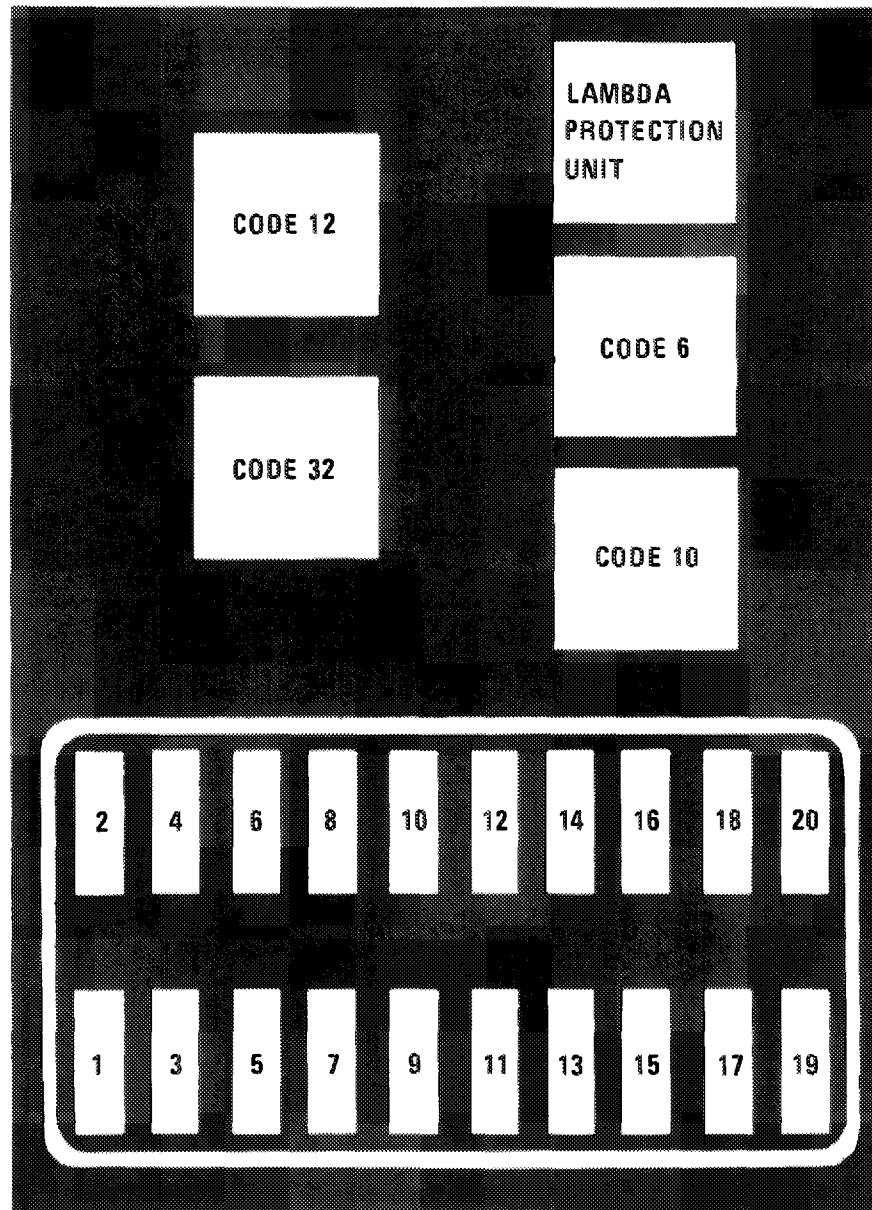
Fuse-Circuit List

Fuse		Circuits Protected	Page
No.	Amps (color)		
1	8(WT)	Automatic Antenna	127
		Clock	120
		Courtesy Lights	121
		Lights: Hazard	116
		Radio	127
		Rear Dome Light	111
		Trunk Light	115
		Warning System	117
2	16(PK)	Auxiliary Fan	123
3	16(PK)	Power Windows (LH)	126
4	16(PK)	Power Windows (RH)	126
5	8(PK)	Stoplights/Cruise Control	113
		Turn Signal/Hazard	116
		Warning System/Warning Indicators	117
		Power Windows	126
6	16(PK)	Automatic Climate Control	127
7	8(PK)	Air Injection Management	109
		Automatic Climate Control	127
		Auxiliary Fan	123
		Backup Lights	111
		Warning System	117
8	8(WT)	Horns	123
9	NOT USED		
10	16(WT)	Rear Defogger	125

Fuse		Circuits Protected	Page
No	Amps (color)		
11	16(PK)	Headlights	112
		Wiper/Washer	124
12	8(WT)	Cigar Lighter/Radio	127
		Glove Box Light	111
		Heated Seats	128
13	8(WT)	Illumination: Instrument Cluster/ Center Console	122
		Lights: Marker/License	115
		Lights: Park/Tail (RH) Warning System	114
14	2	NOT USED	126
15	16(PK)	NOT USED	
16	8(WT)	Lights: Park/Tail (LH)	114
17	8(WT)	Headlights (RH High Beam)	112
18	8(WT)	Headlights (LH High Beam)	112
19	16(PK)	Headlights (RH Low Beam)/Fog Lights	112
20	8(WT)	Headlights (LH Low Beam)	112
AUX FUSE BOX	2	Automatic Climate Control	127

102
380
SL

FUSE BOX

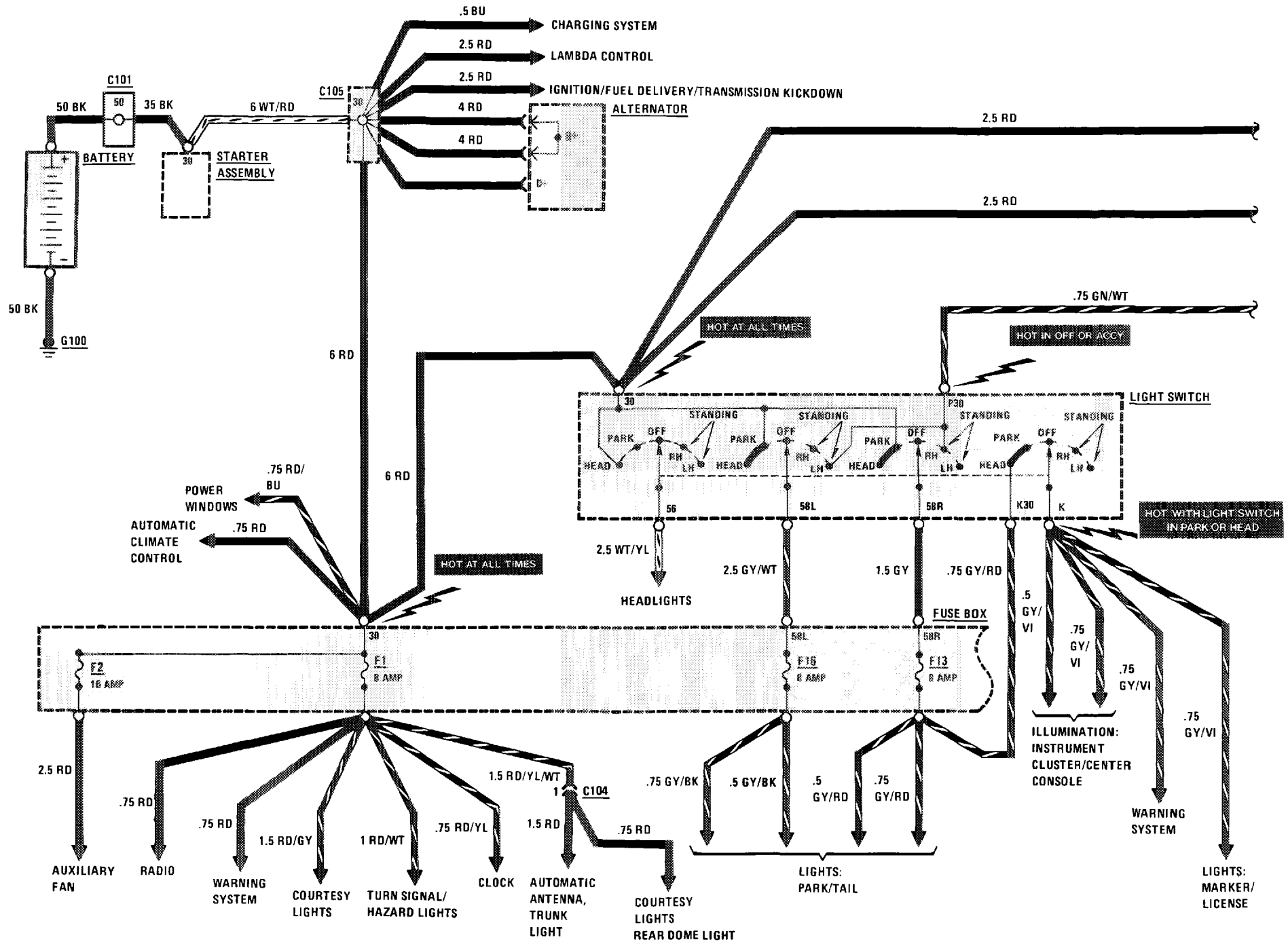


RELAY CODE	RELAY USE
12	Compressor Relay
32	Air Injection Management Relay
No Code	Lambda Protection Unit
6	Auxiliary Fan Relay
10	Window Relay

NOTE: Relays are shown in their typical position they can be arranged in different positions. Use codes to determine proper relay.

POWER DISTRIBUTION

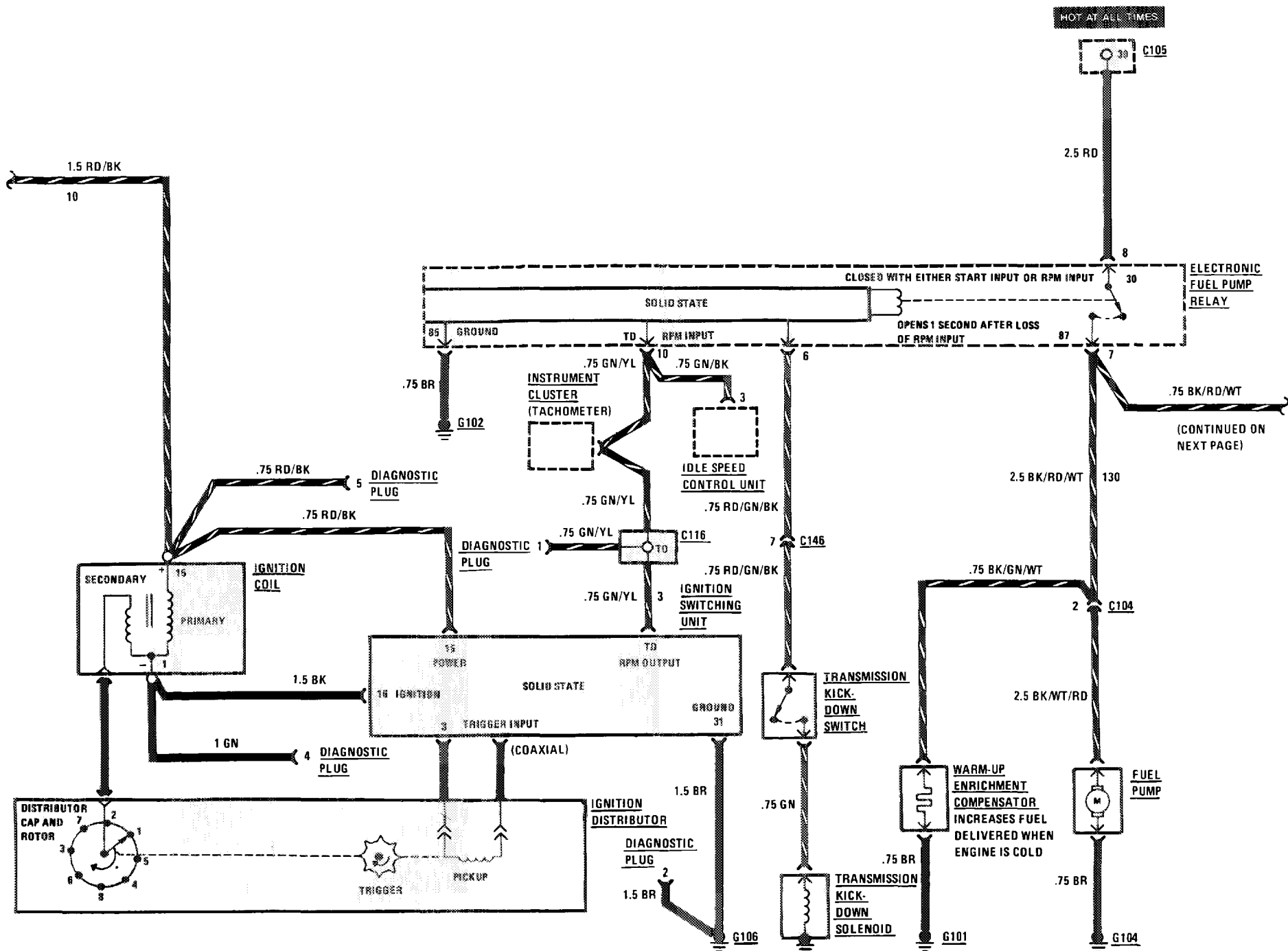
(For Component Locations See Page 205)



104
380
SL

IGNITION/FUEL DELIVERY/TRANSMISSION KICKDOWN

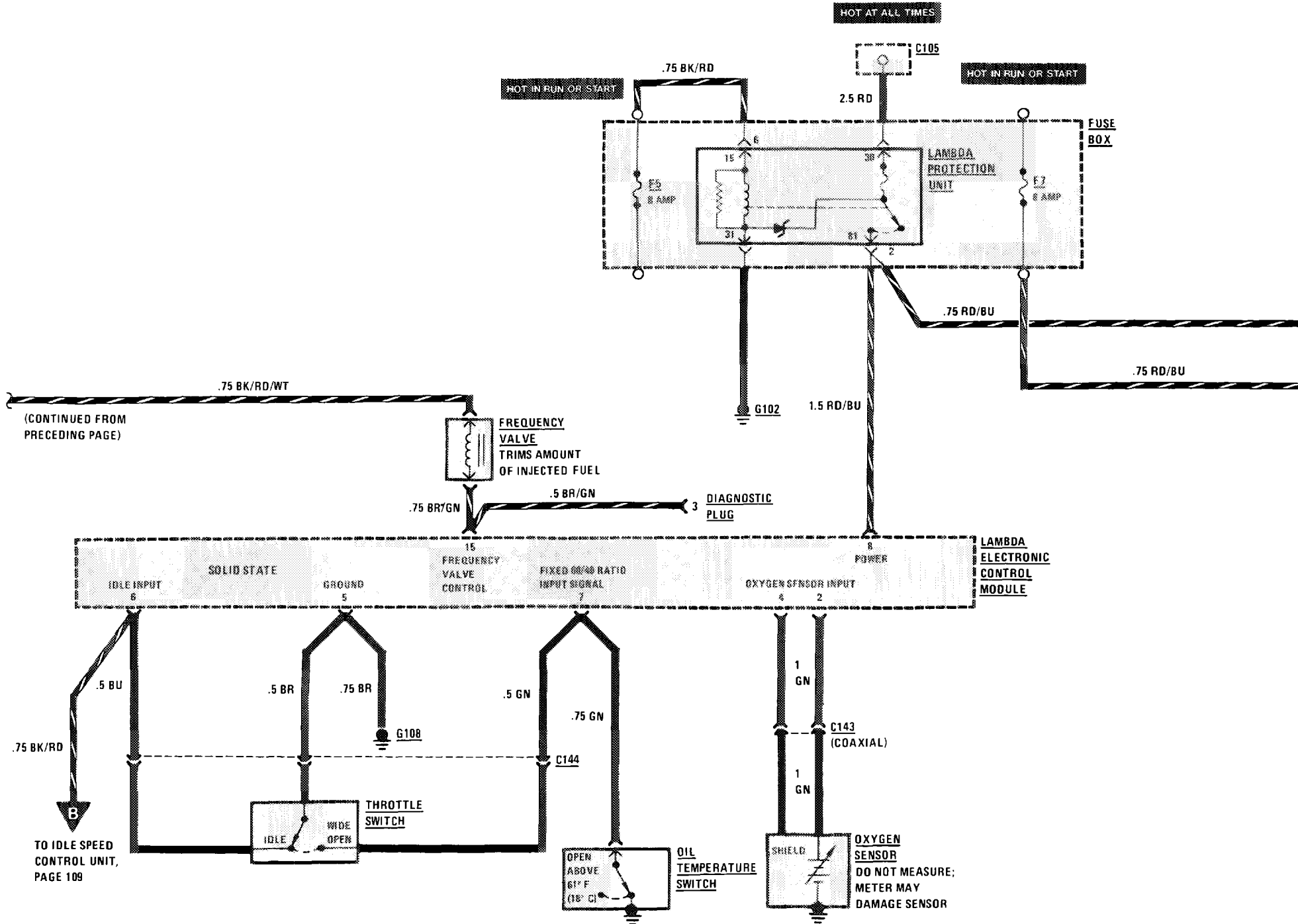
(For Component Locations See Page 203)



(CONTINUED ON NEXT PAGE)

LAMBDA CONTROL

(For Component Locations See Page 204)



(CONTINUED FROM PRECEDING PAGE)

TO IDLE SPEED CONTROL UNIT, PAGE 109

HOT AT ALL TIMES

HOT IN RUN OR START

HOT IN RUN OR START

FUSE BOX

LAMBDA PROTECTION UNIT

F2

2 AMP

.75 RD/BU

.75 RD/BU

.75 BK/RD/WT

G102

1.5 RD/BU

FREQUENCY VALVE TRIMS AMOUNT OF INJECTED FUEL

DIAGNOSTIC PLUG

.75 BR/GN

.5 BR/GN

108
380
SL

LAMBDA ELECTRONIC CONTROL MODULE

IDLE INPUT 6

SOLID STATE

GROUND 5

FREQUENCY VALVE CONTROL 15

FIXED 60:40 RATIO INPUT SIGNAL 7

OXYGEN SENSOR INPUT 4 2

POWER 8

.75 BK/RD

.5 BU

.5 BR

.75 BR

.5 GN

.75 GN

1 GN

C143 (COAXIAL)

1 GN

THROTTLE SWITCH
IDLE WIDE OPEN

OPEN ABOVE 61° F (18° C)

OIL TEMPERATURE SWITCH

SHIELD

OXYGEN SENSOR
DO NOT MEASURE; METER MAY DAMAGE SENSOR

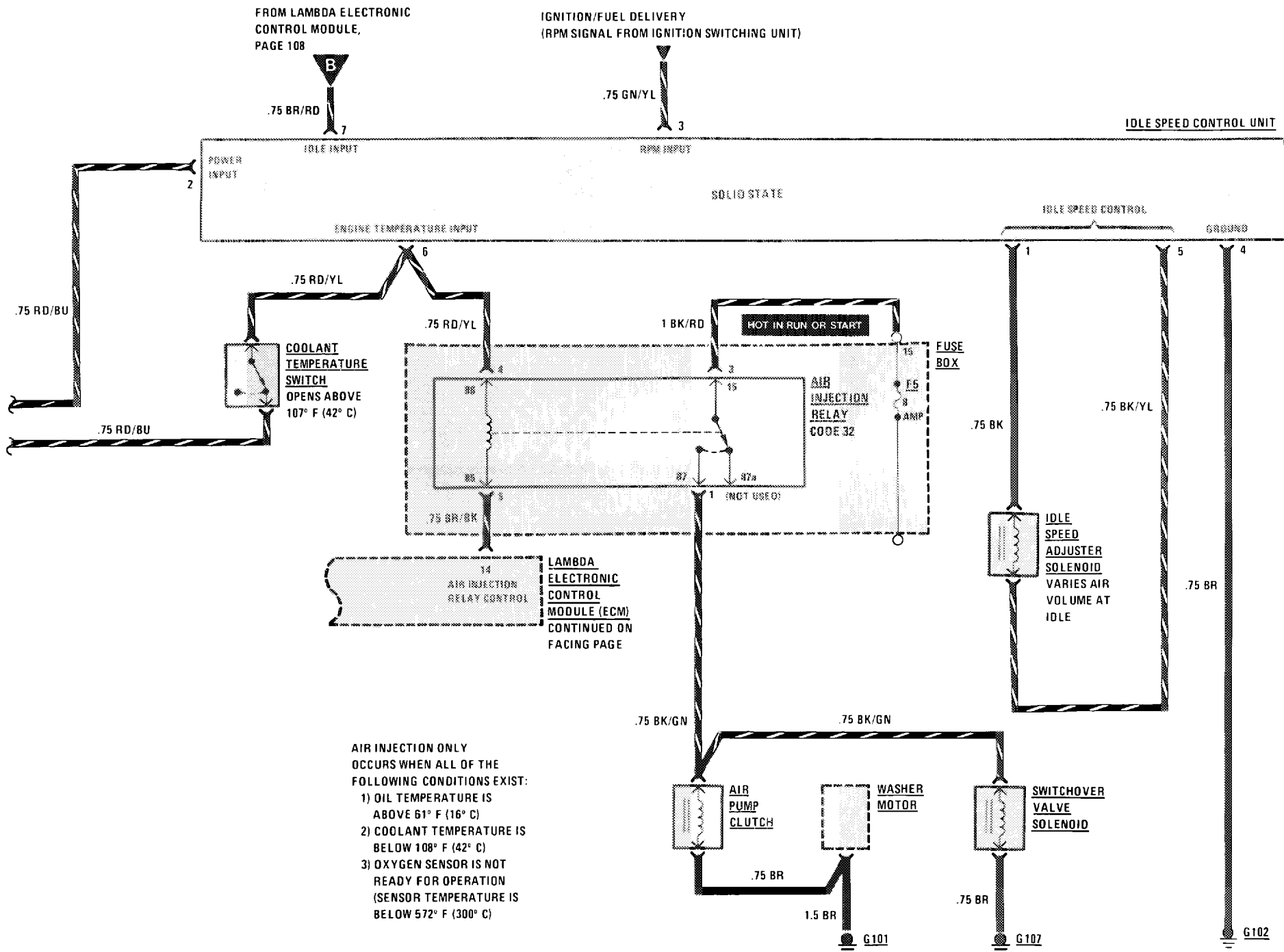
G108

C144

C105

AIR INJECTION MANAGEMENT/IDLE SPEED STABILIZATION

(For Component Locations See Page 201)

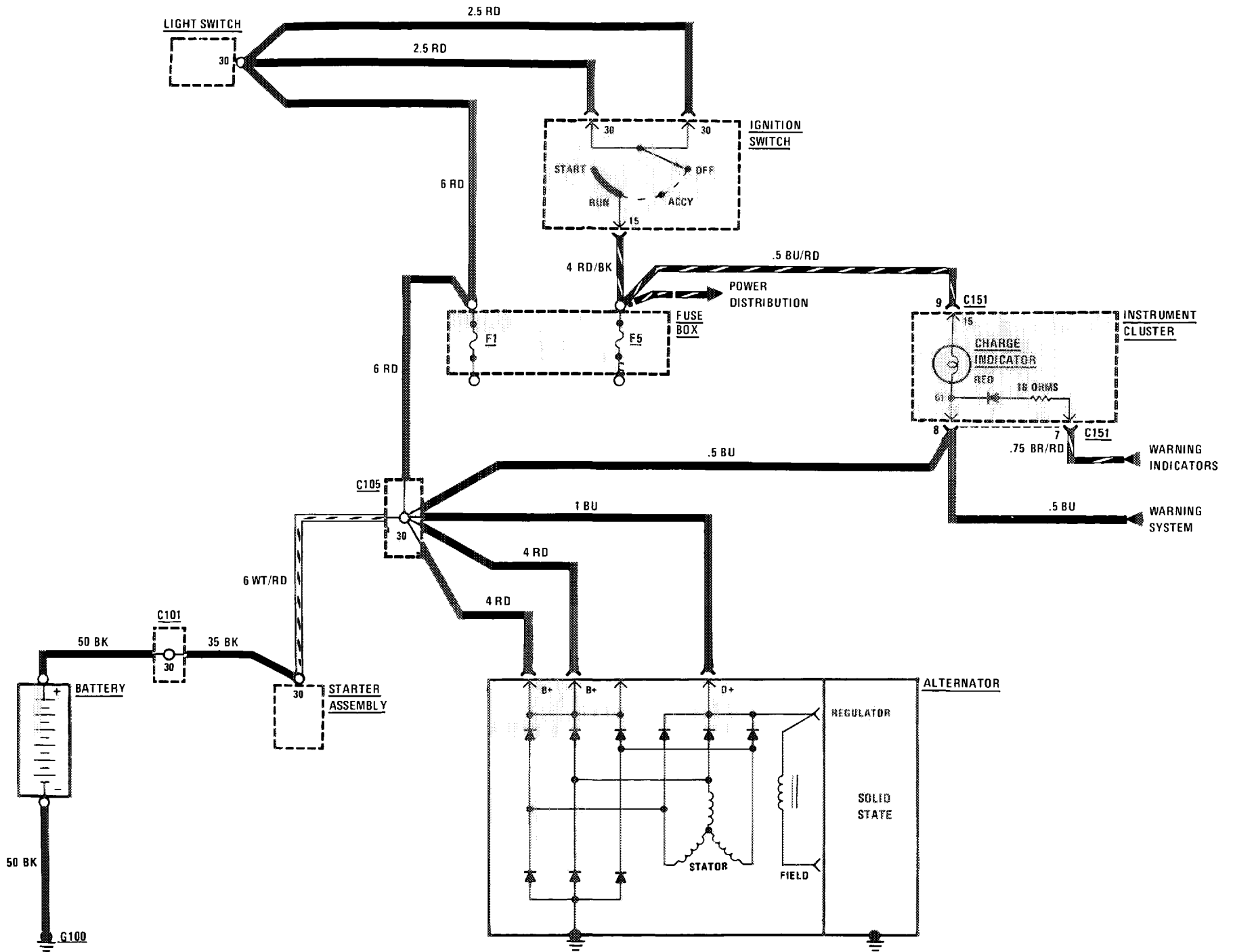


AIR INJECTION ONLY OCCURS WHEN ALL OF THE FOLLOWING CONDITIONS EXIST:

- 1) OIL TEMPERATURE IS ABOVE 61° F (16° C)
- 2) COOLANT TEMPERATURE IS BELOW 108° F (42° C)
- 3) OXYGEN SENSOR IS NOT READY FOR OPERATION (SENSOR TEMPERATURE IS BELOW 572° F (300° C))

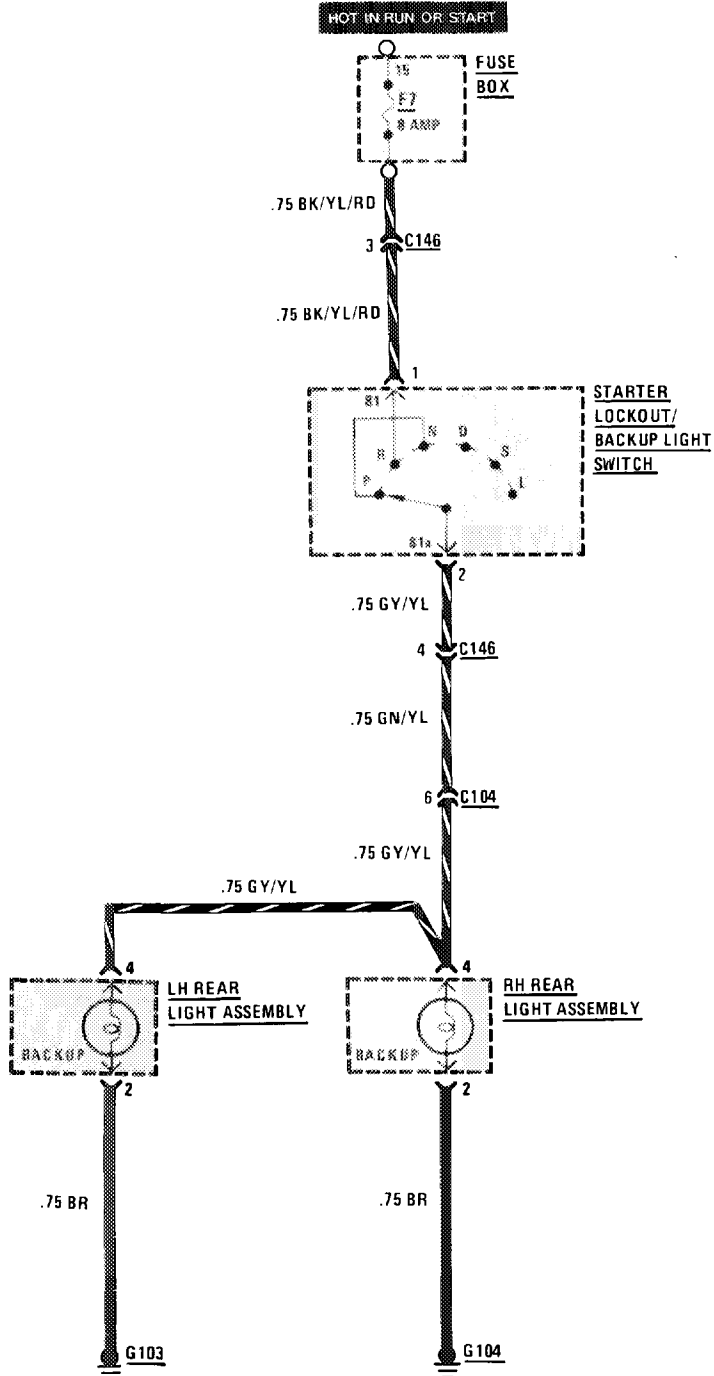
CHARGING SYSTEM

(For Component Locations See Page 201)



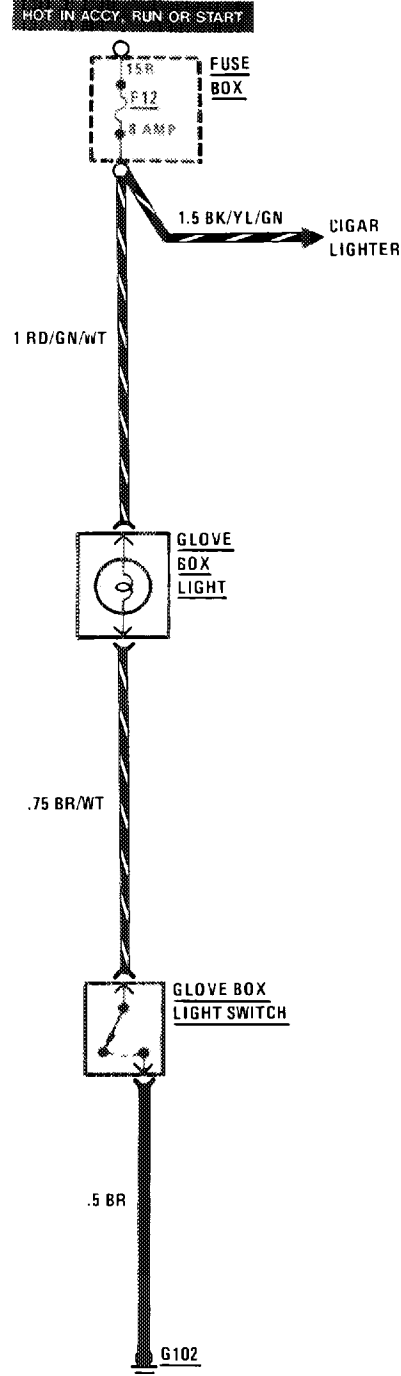
110
380
SL

REAR DOME LIGHT

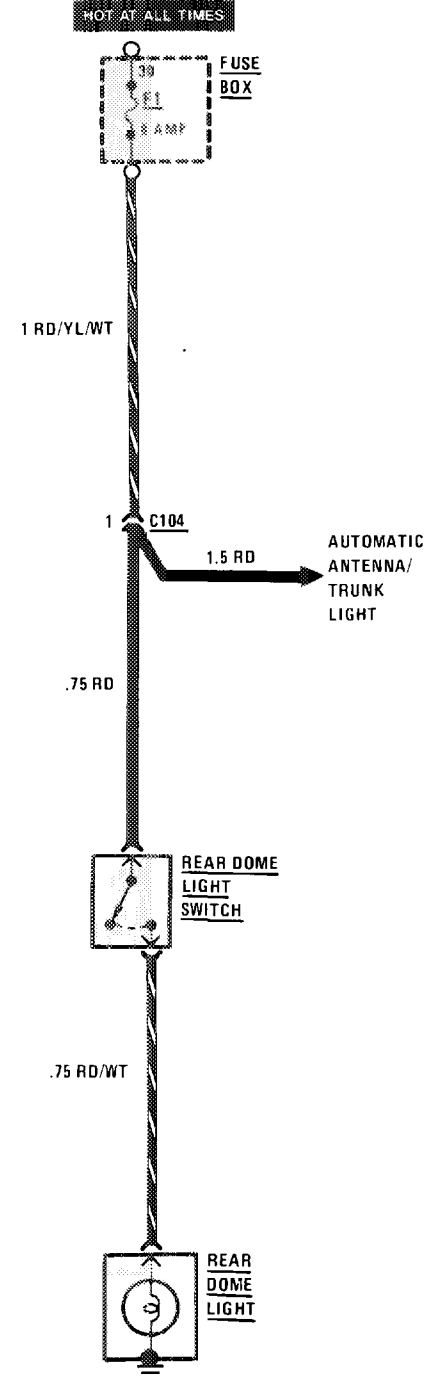


BACKUP LIGHTS

(For Component Locations See Page 201)

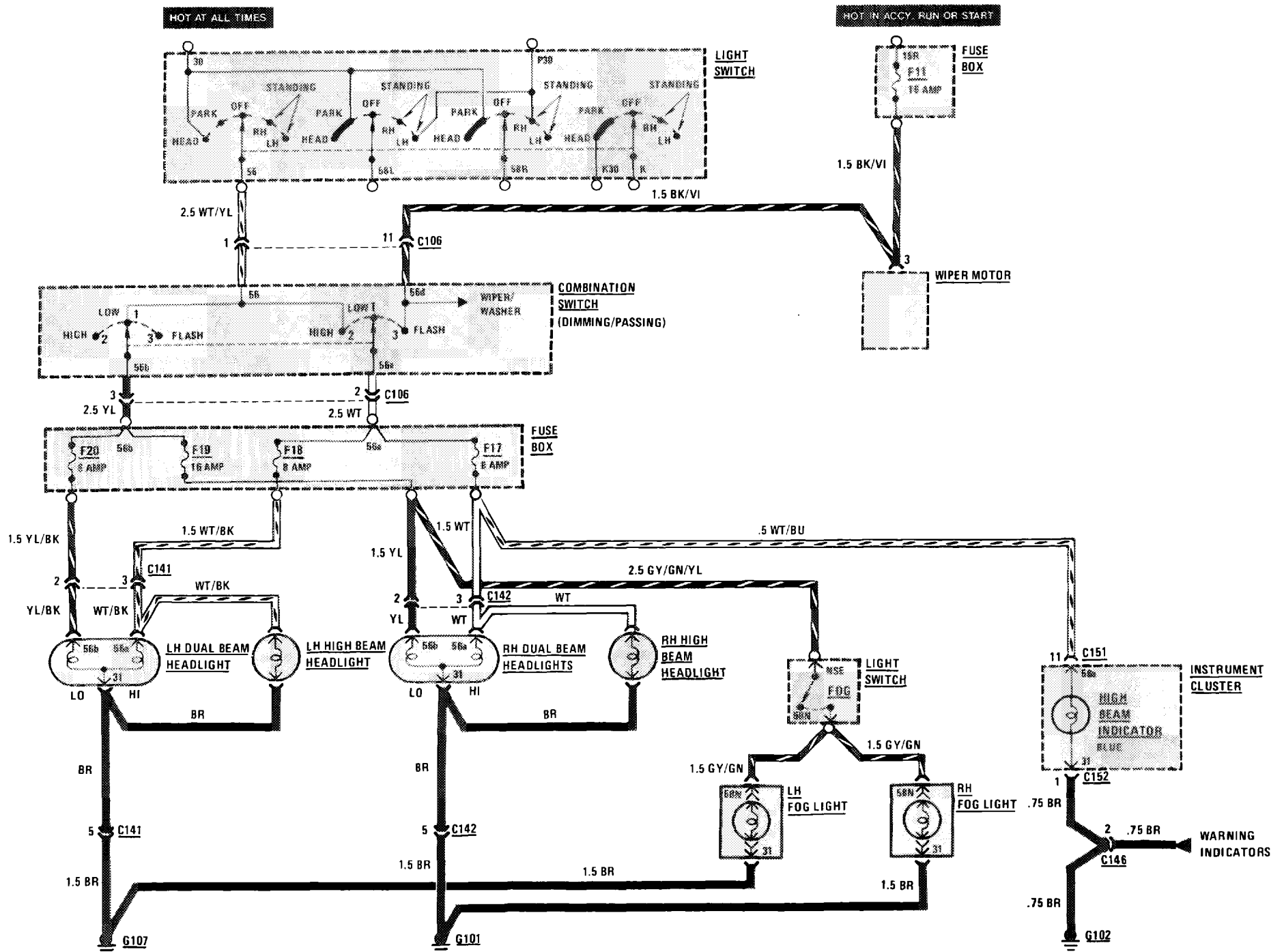


GLOVE BOX LIGHT



HEADLIGHTS/FOG LIGHTS

(For Component Locations See Page 202)

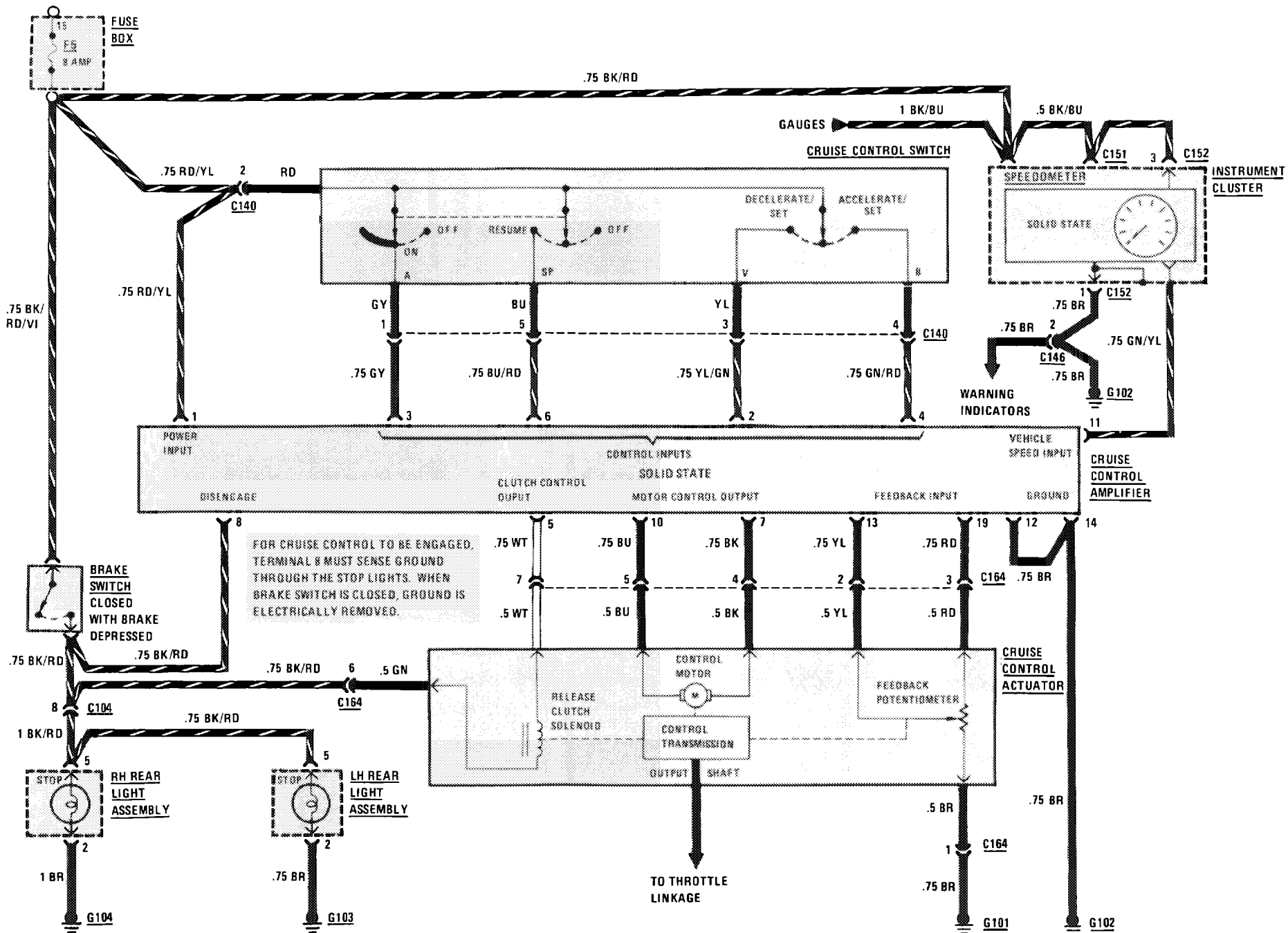


112
380
SL

STOPLIGHTS/CRUISE CONTROL

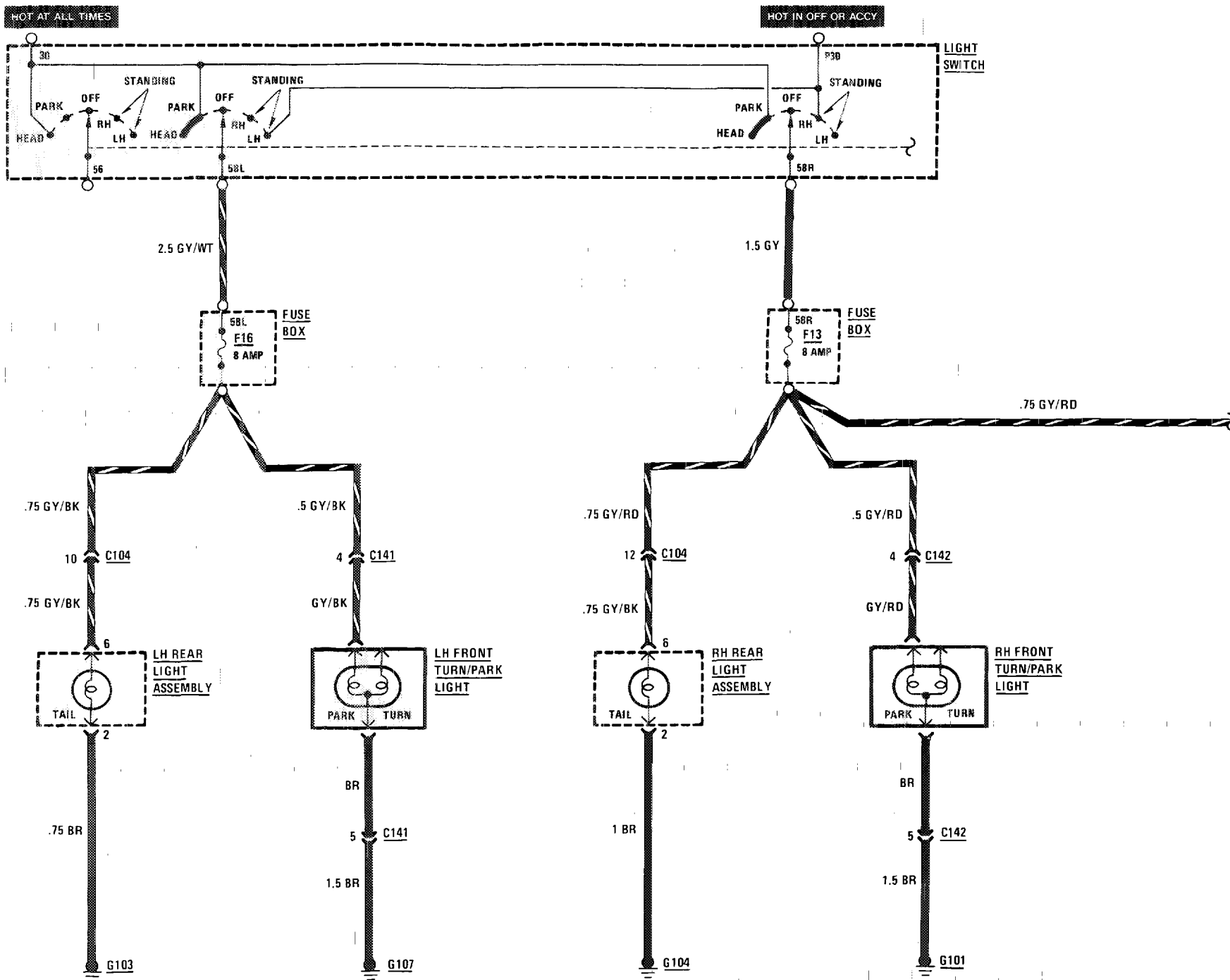
(For Component Locations See Page 206)

HOT IN RUN OR START



LIGHTS: PARK/TAIL

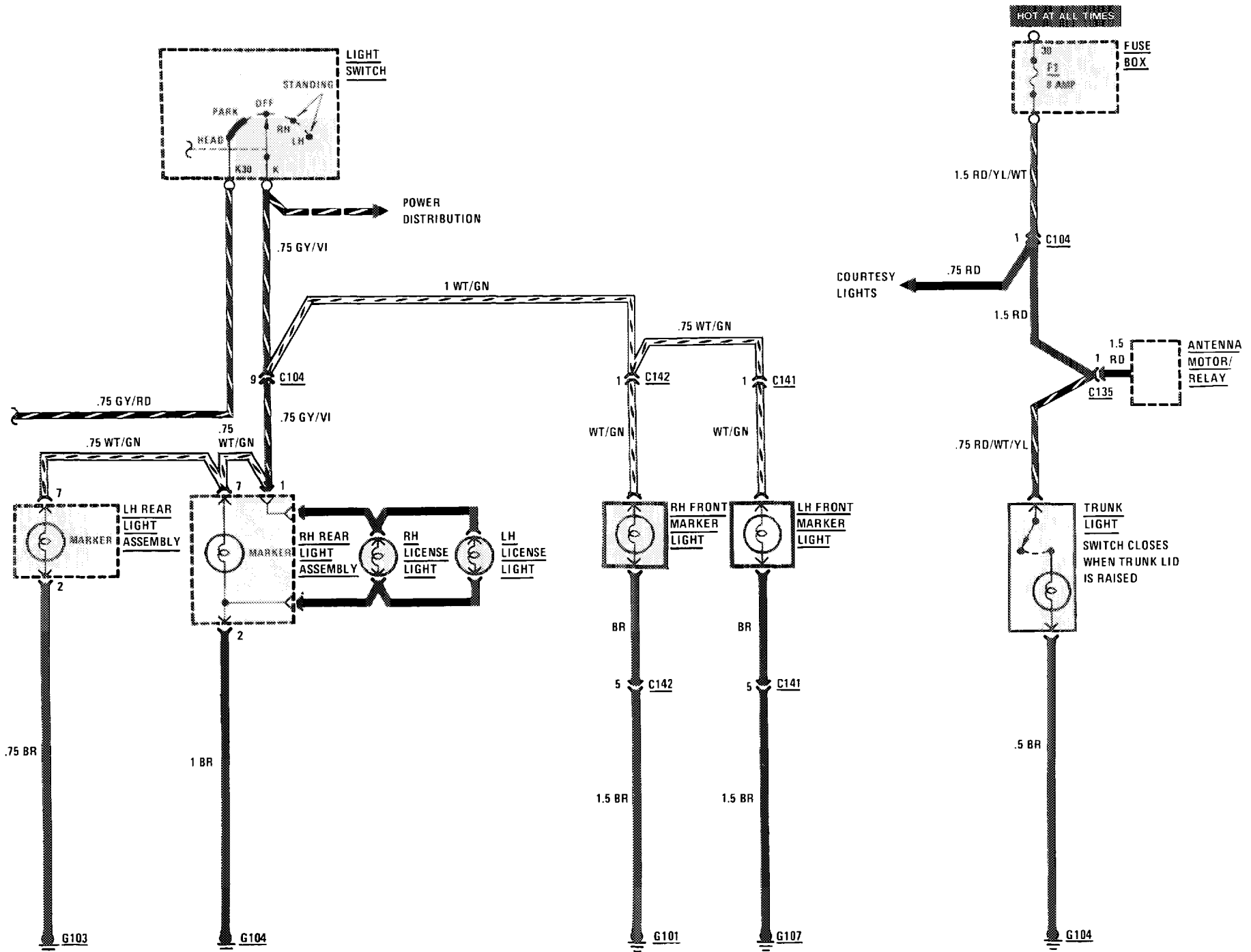
(For Component Locations See Page 205)



114
380
SL

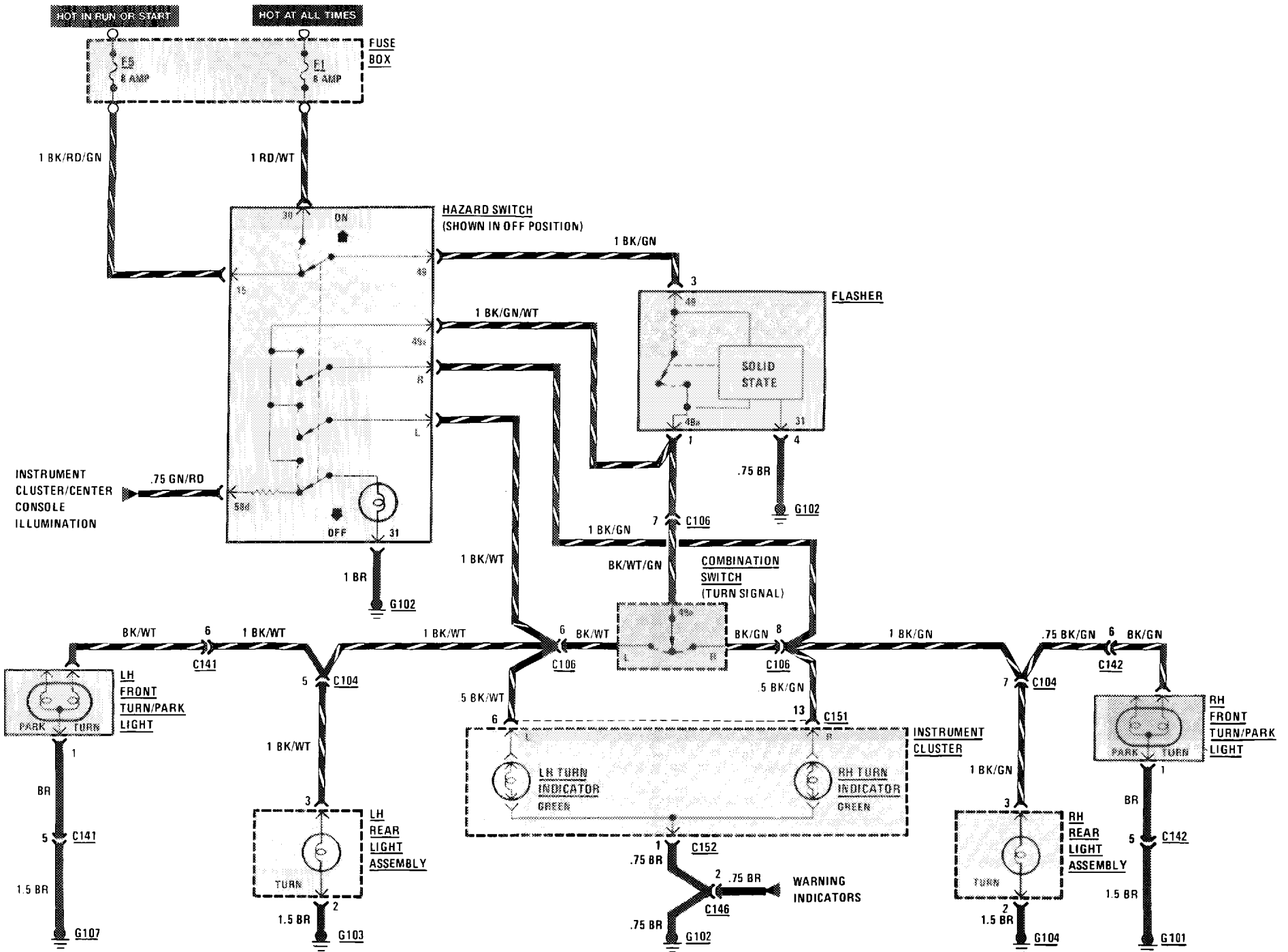
LIGHTS: MARKER/LICENSE/TRUNK

(For Component Locations See Page 204)



TURN SIGNAL/HAZARD LIGHTS

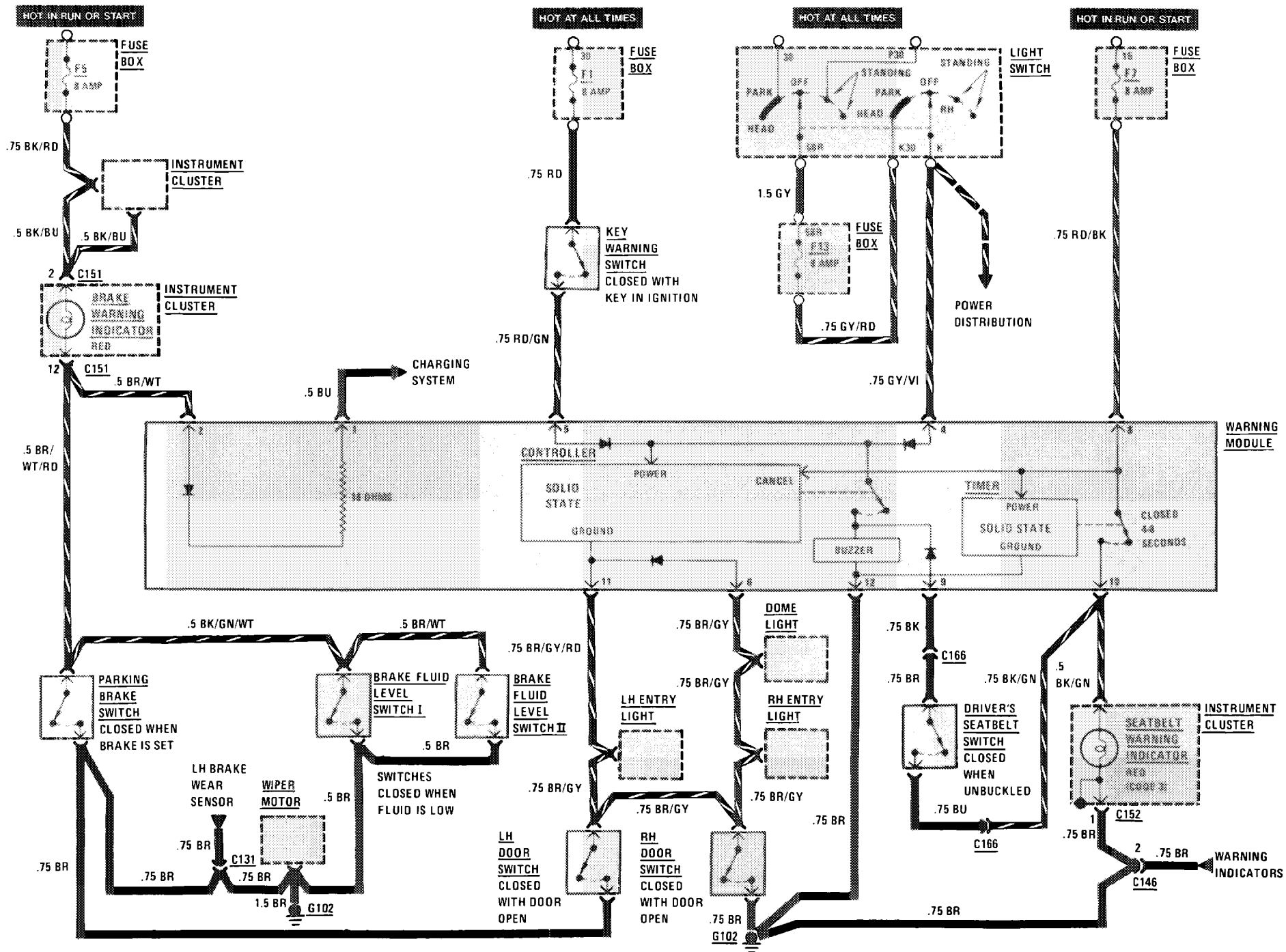
(For Component Locations See Page 207)



116
380
SL

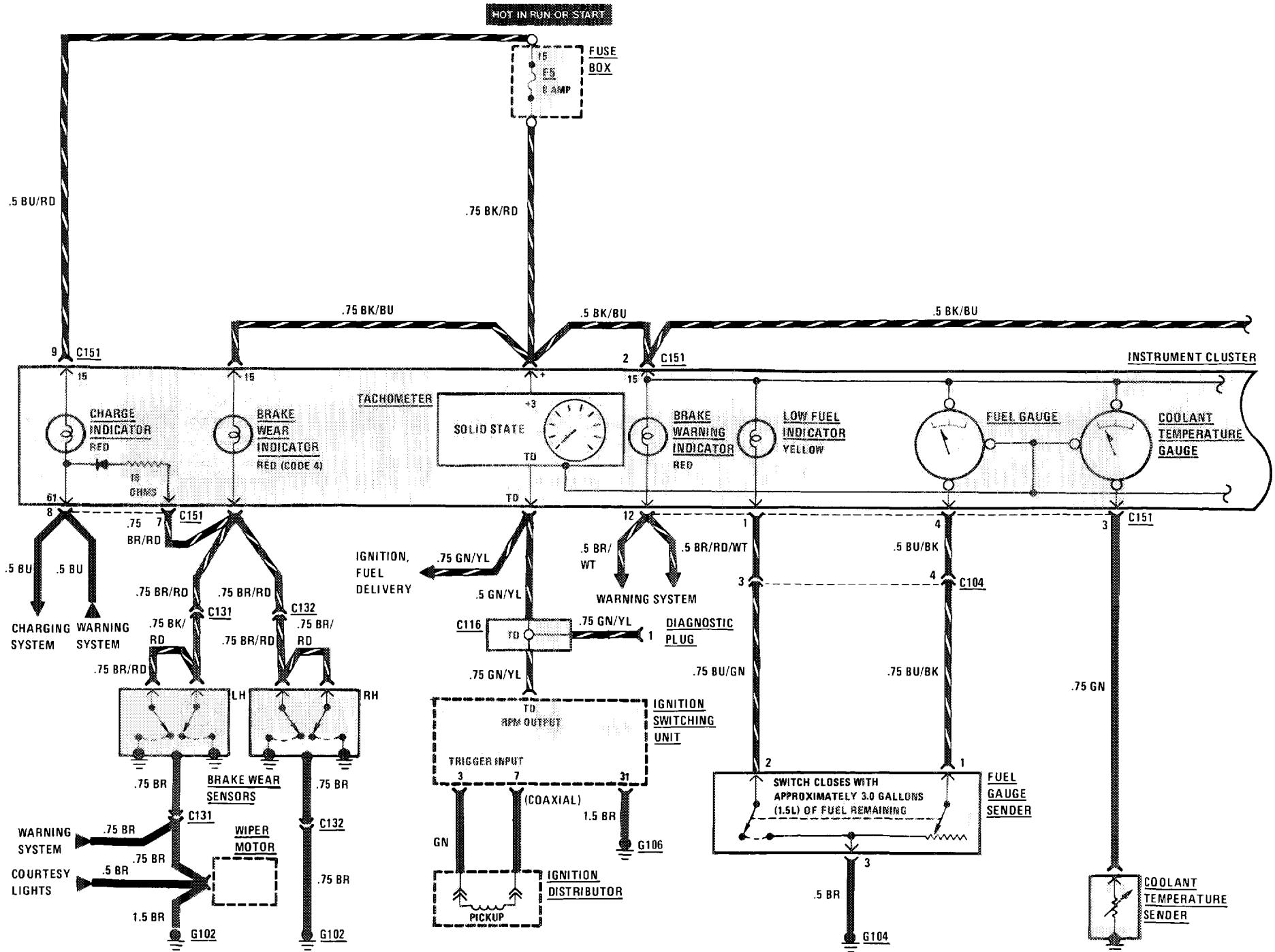
WARNING SYSTEM

(For Component Locations See Page 208)



WARNING INDICATORS/GAUGES/CLOCK

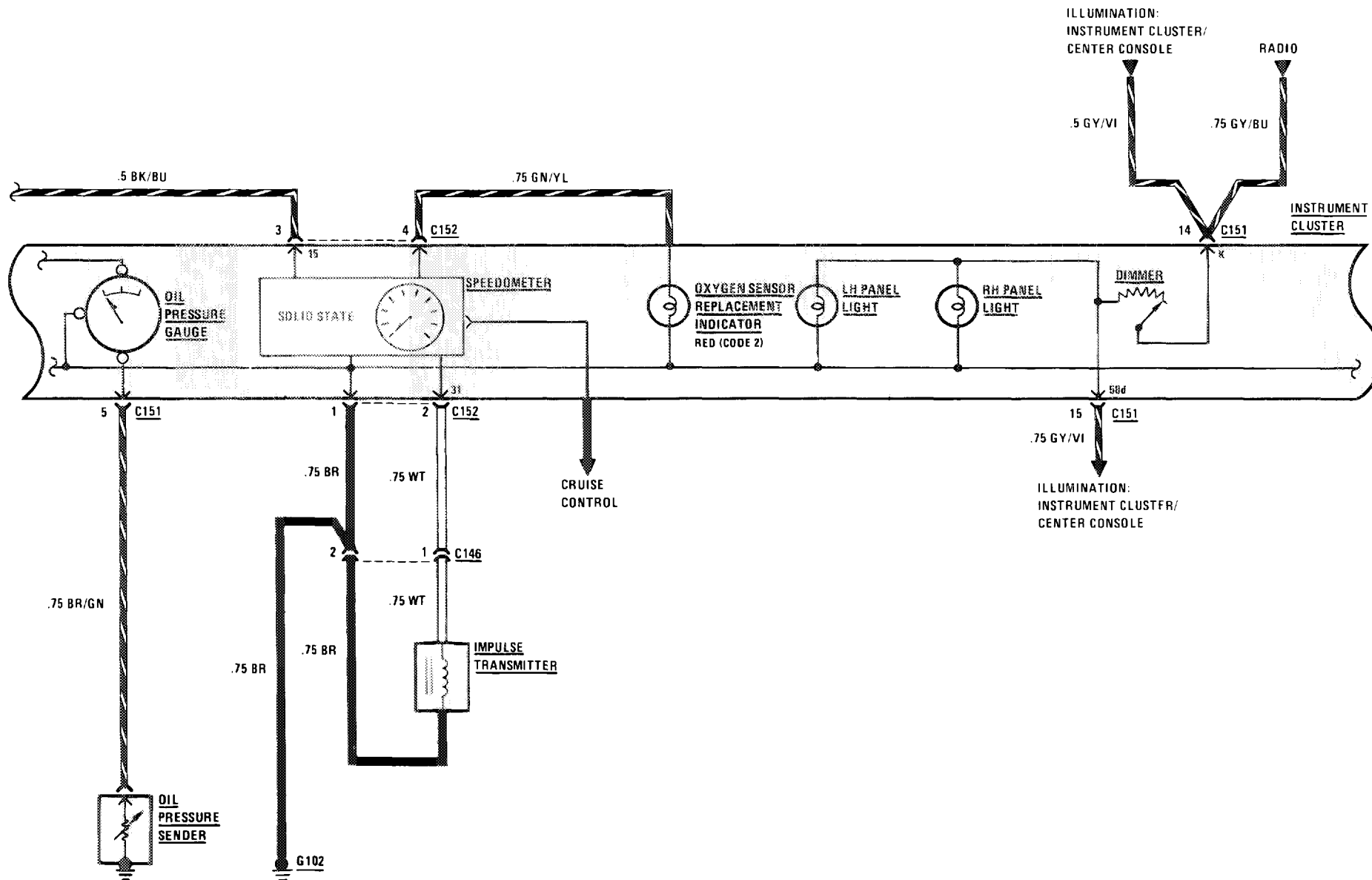
(For Component Locations See Page 207)



118
380
SL

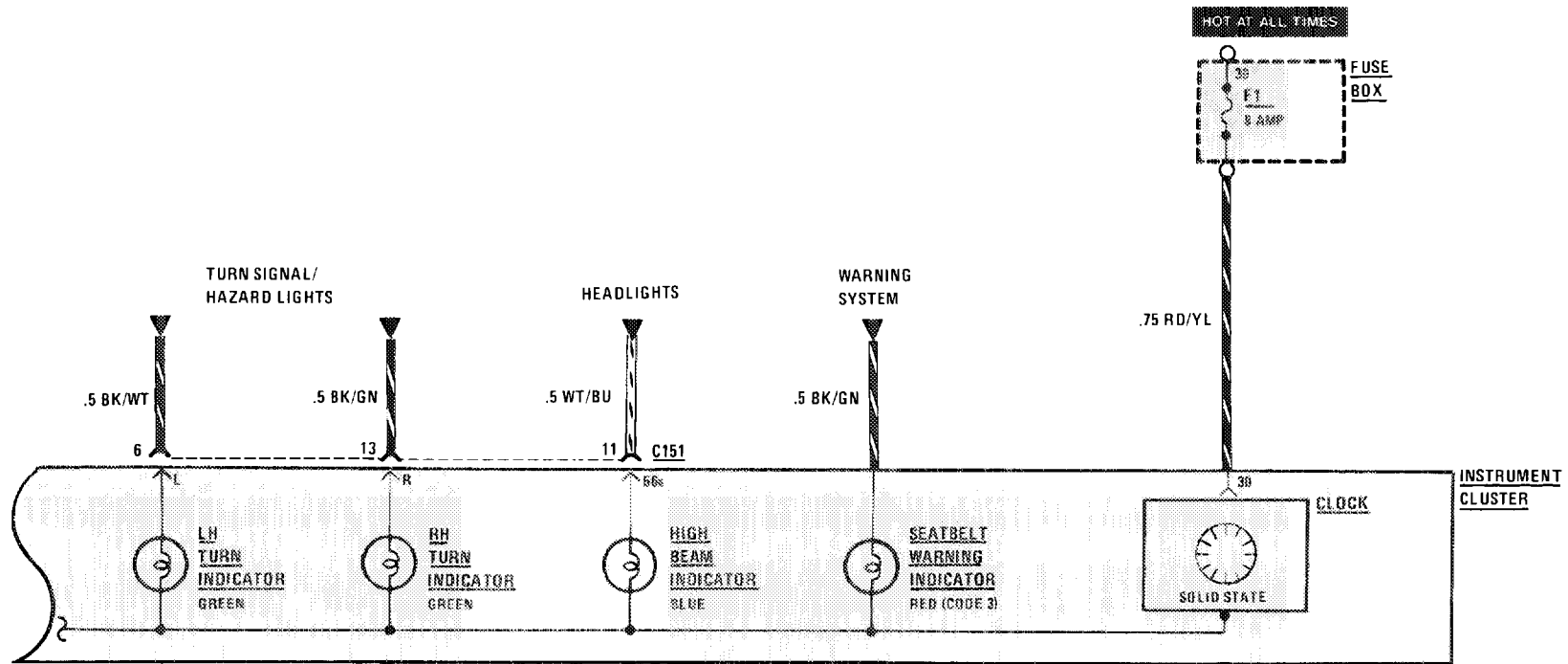
WARNING INDICATORS/GAUGES/CLOCK

(For Component Locations See Page 207)



WARNING INDICATORS/GAUGES/CLOCK

(For Component Locations See Page 207)

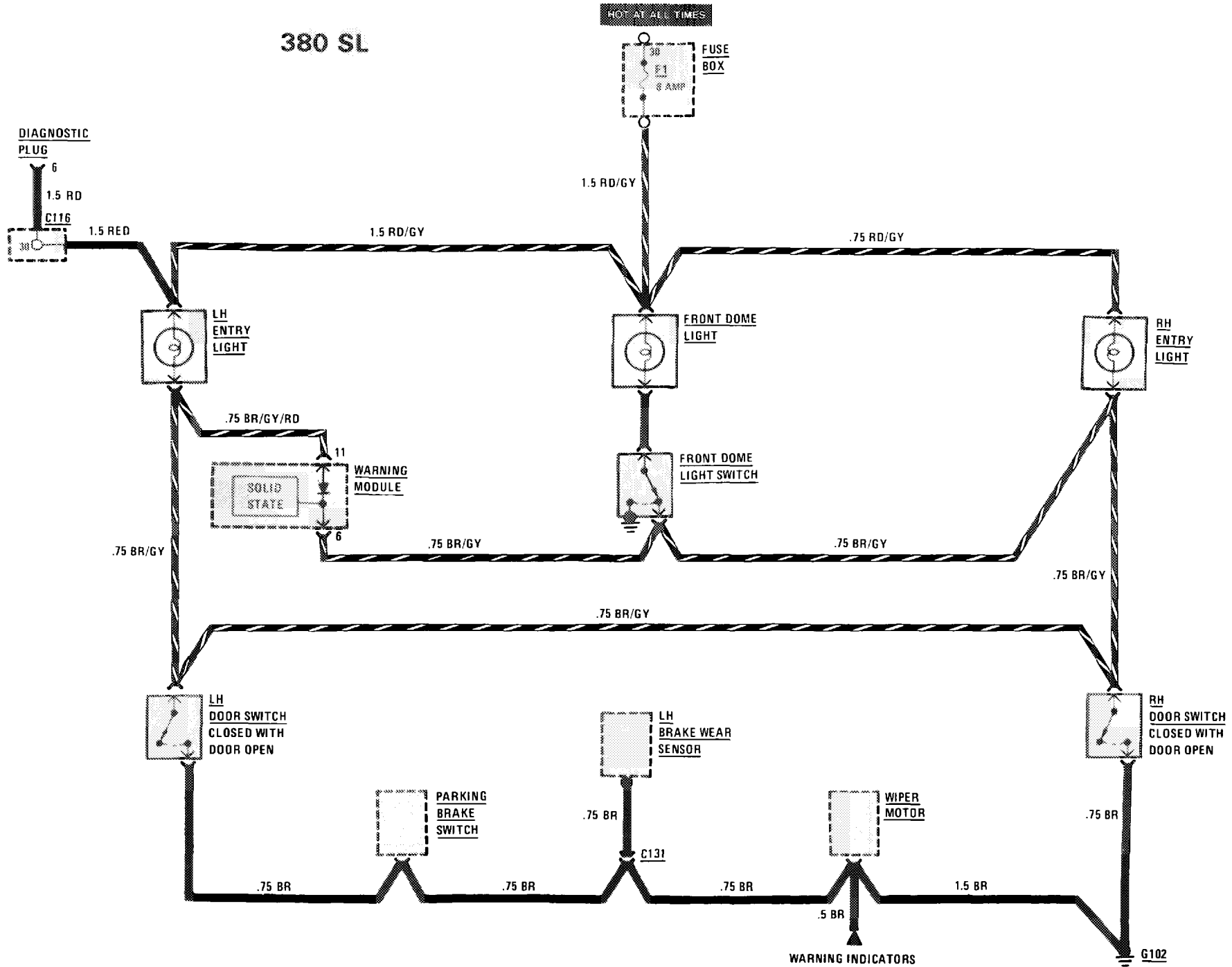


120
380
SL

COURTESY LIGHTS

(For Component Locations See Page 202)

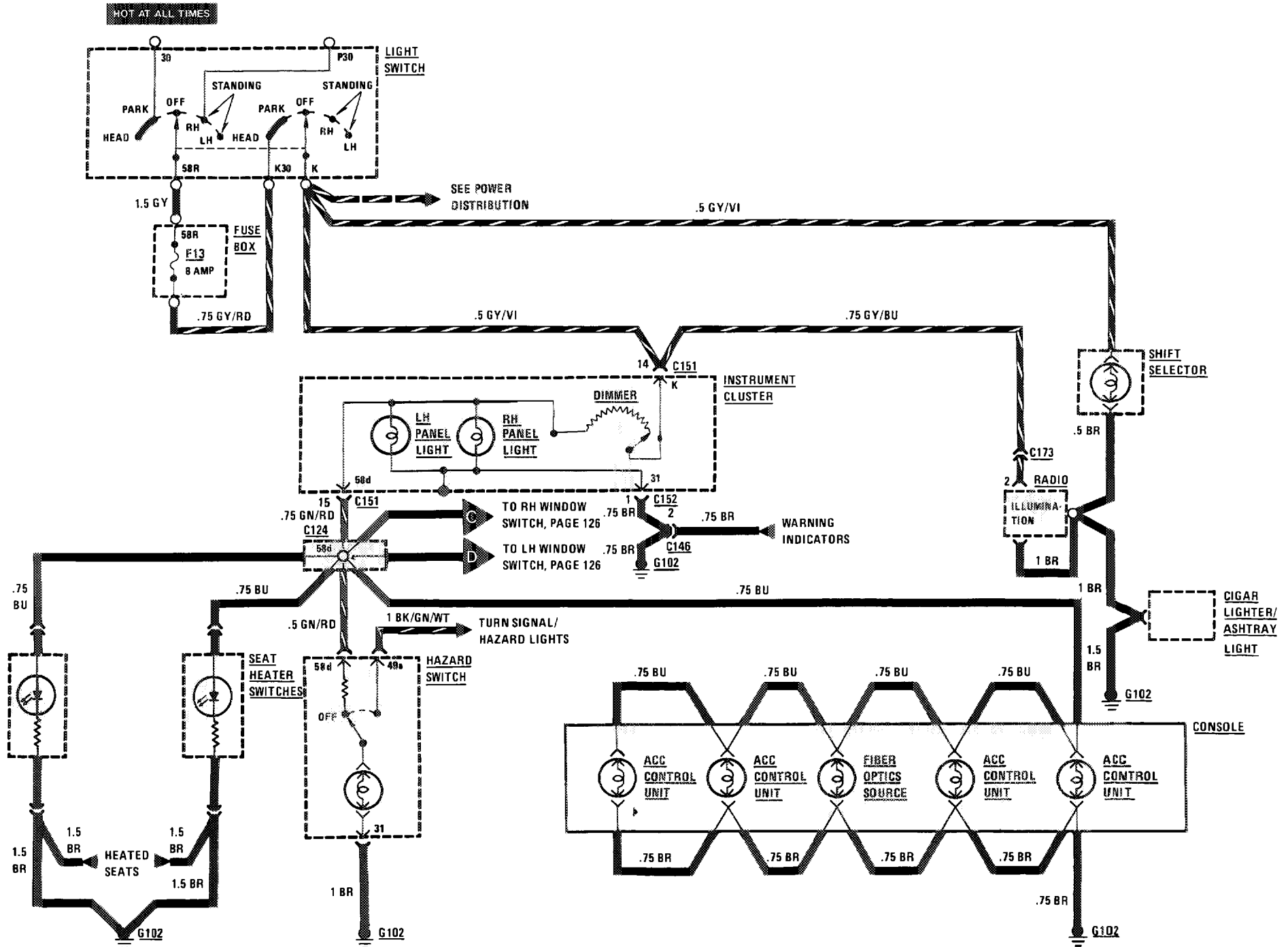
380 SL



121
380
SL

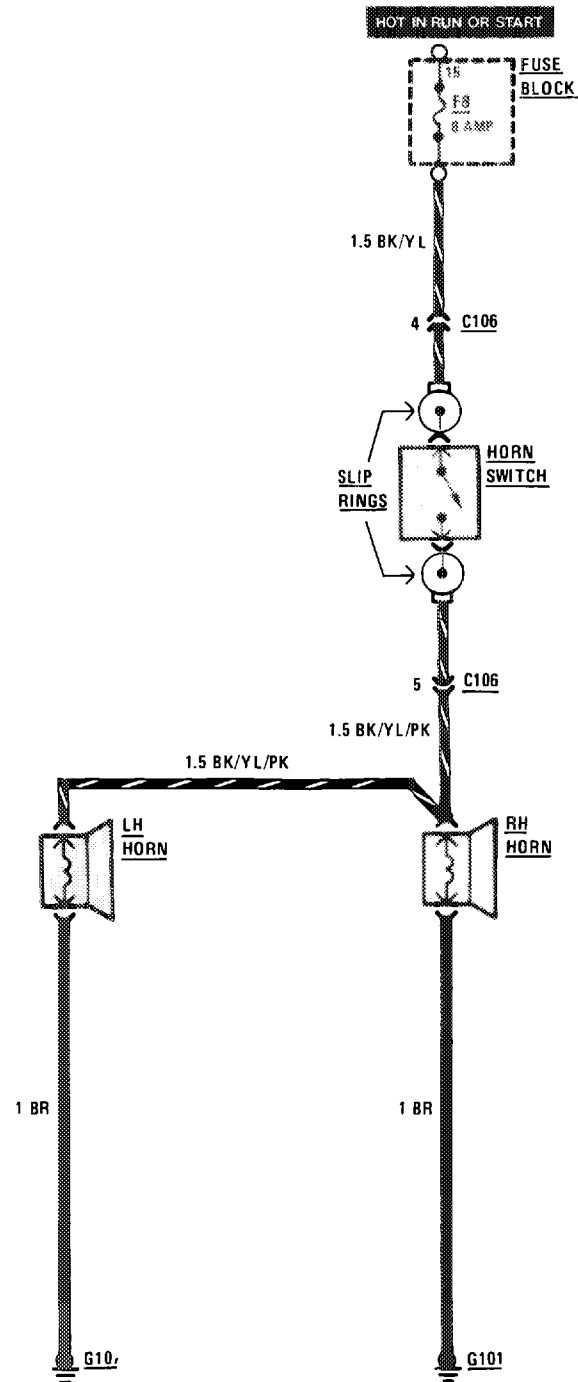
ILLUMINATION: INSTRUMENT CLUSTER/CENTER CONSOLE

(For Component Locations See Page 204)

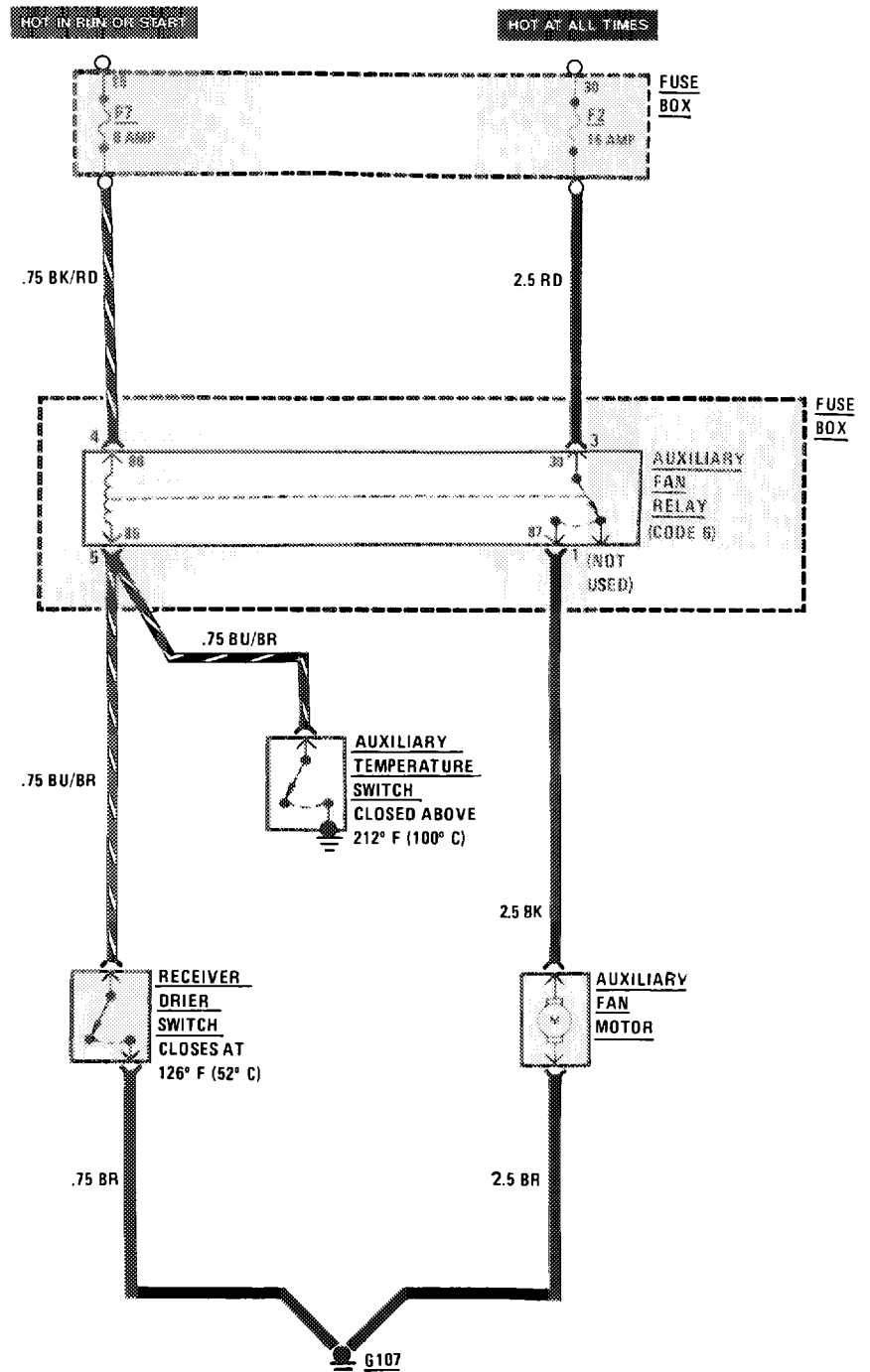


HORNS

(For Component Locations See Page 203)



AUXILIARY FAN

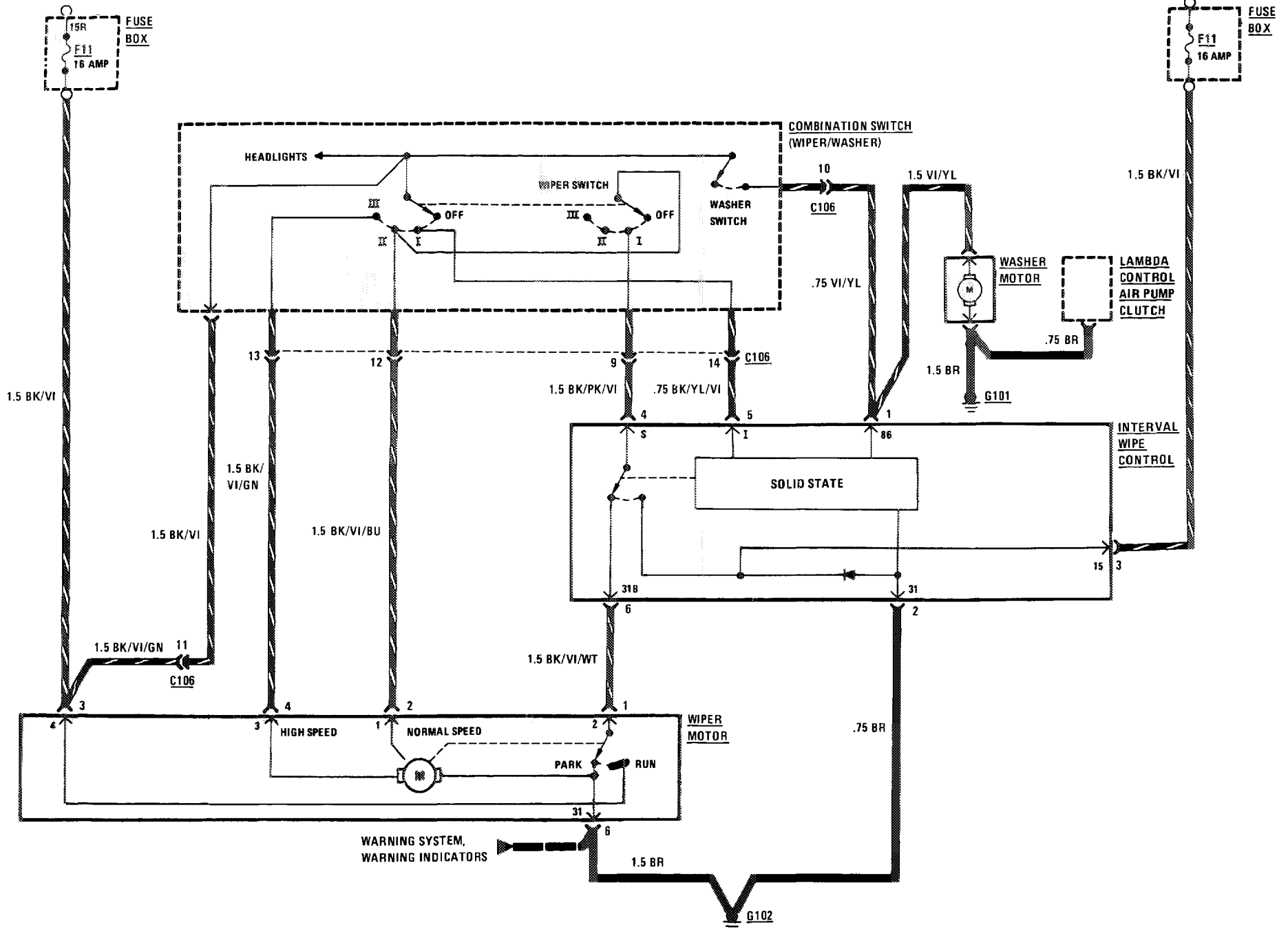


WIPER/WASHER

(For Component Locations See Page 208)

HOT IN ACCY. RUN OR START

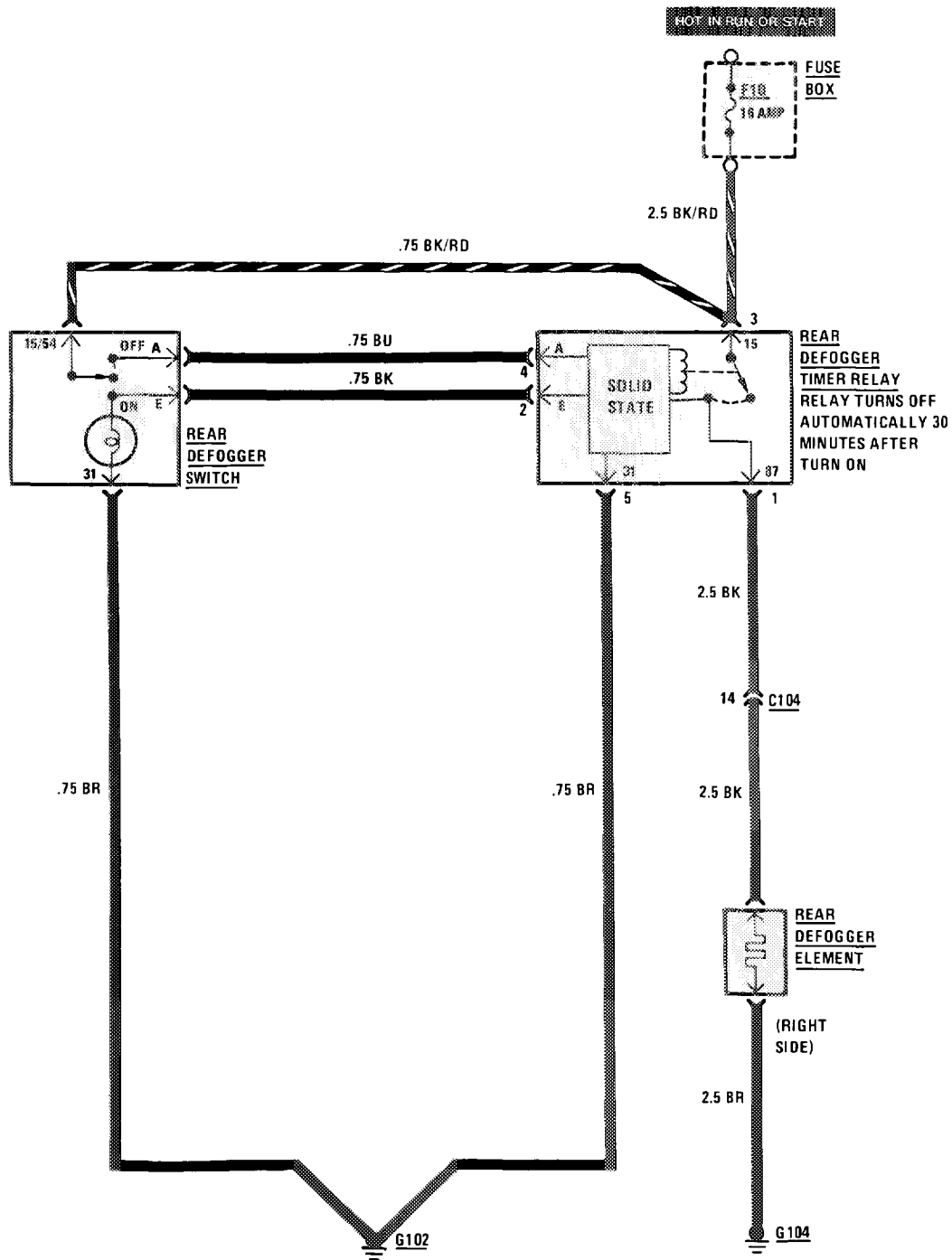
HOT IN ACCY. RUN OR START



124
380
SL

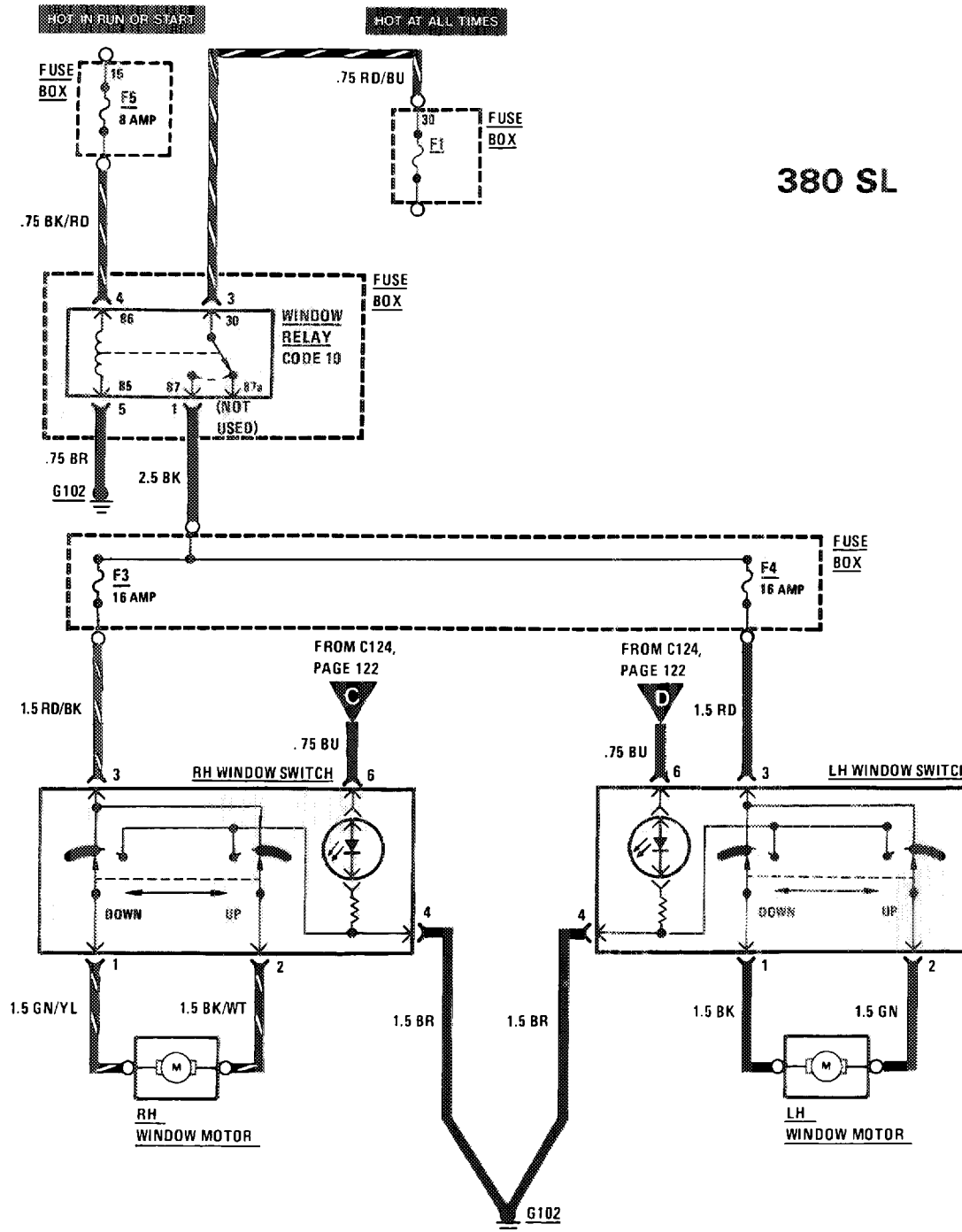
REAR DEFOGGER

(For Component Locations See Page 205)



POWER WINDOWS

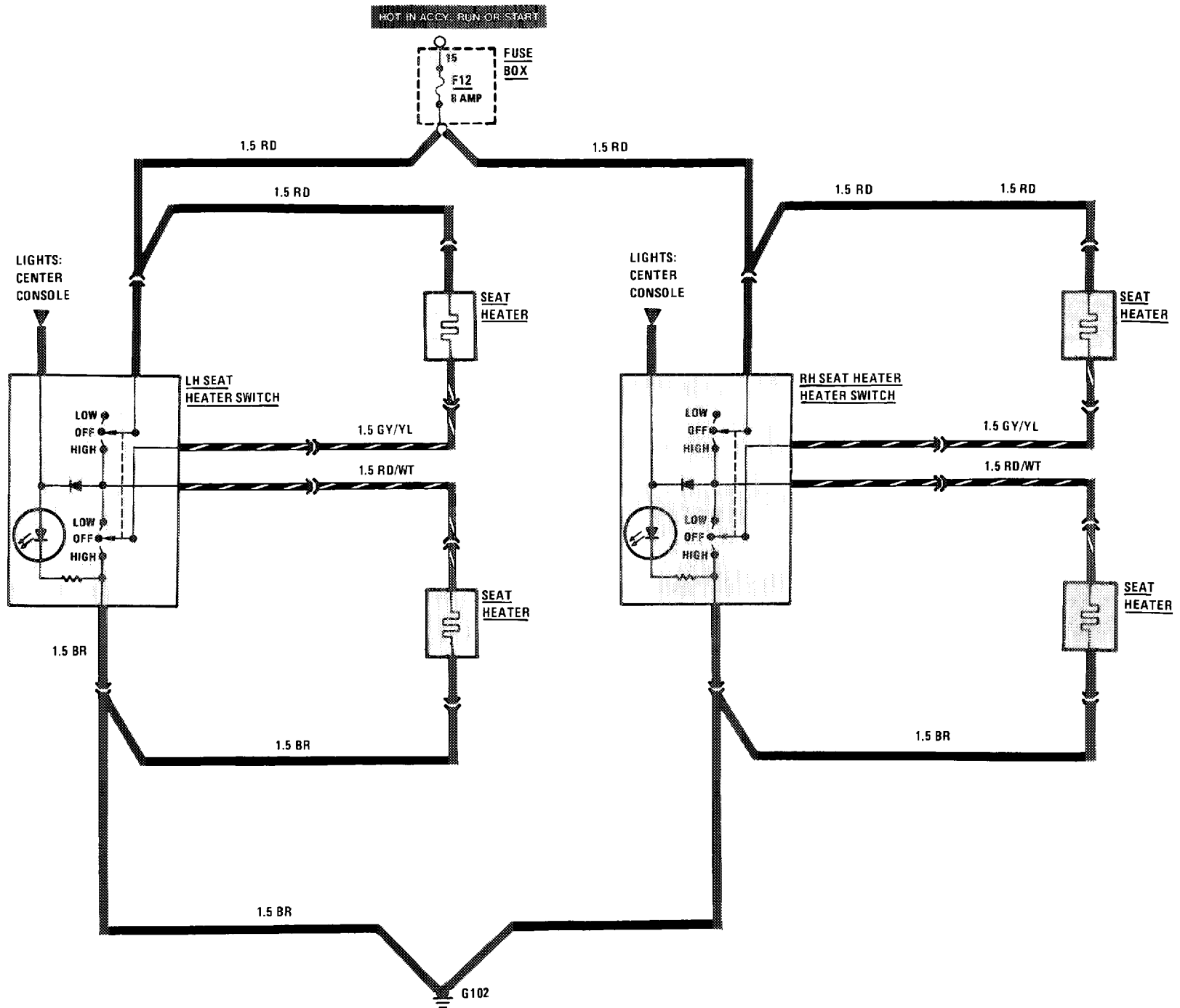
(For Component Locations See Page 205)



126
380
SL

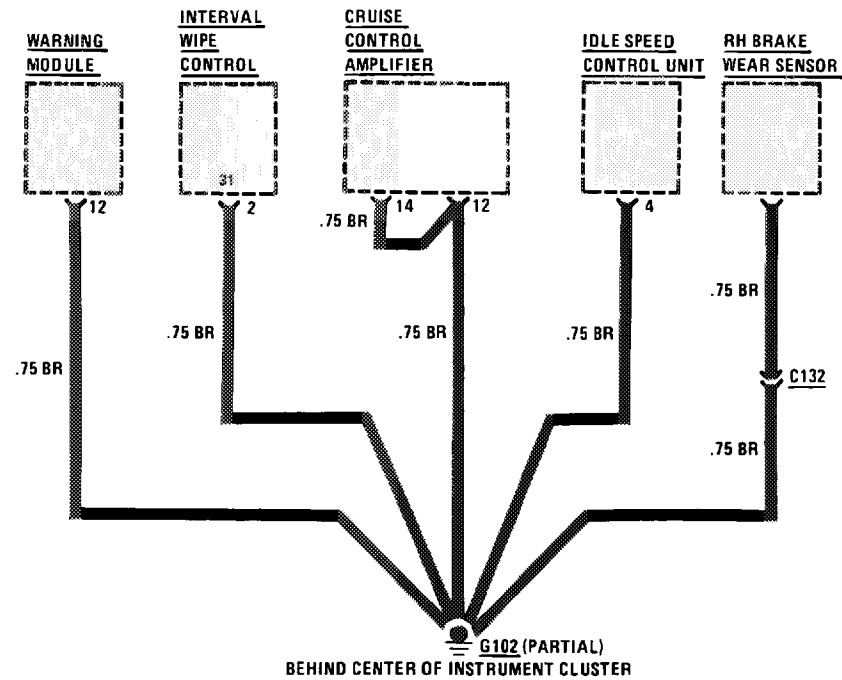
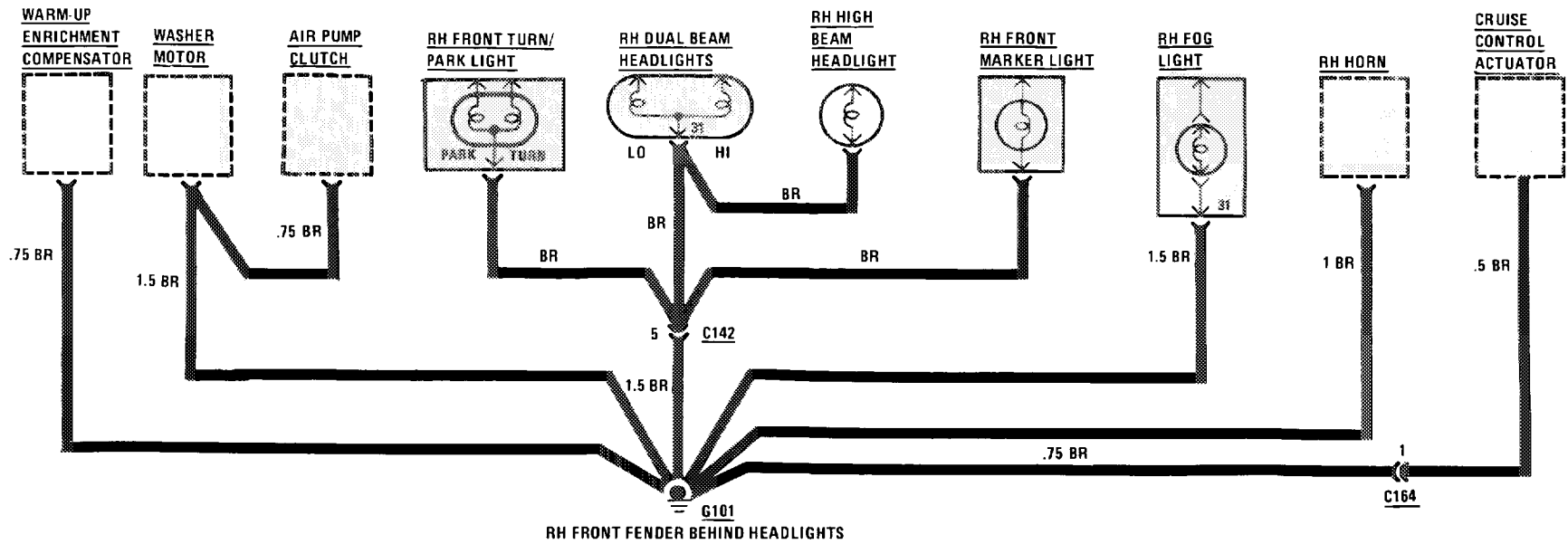
HEATED SEATS

(For Component Locations See Page 203)

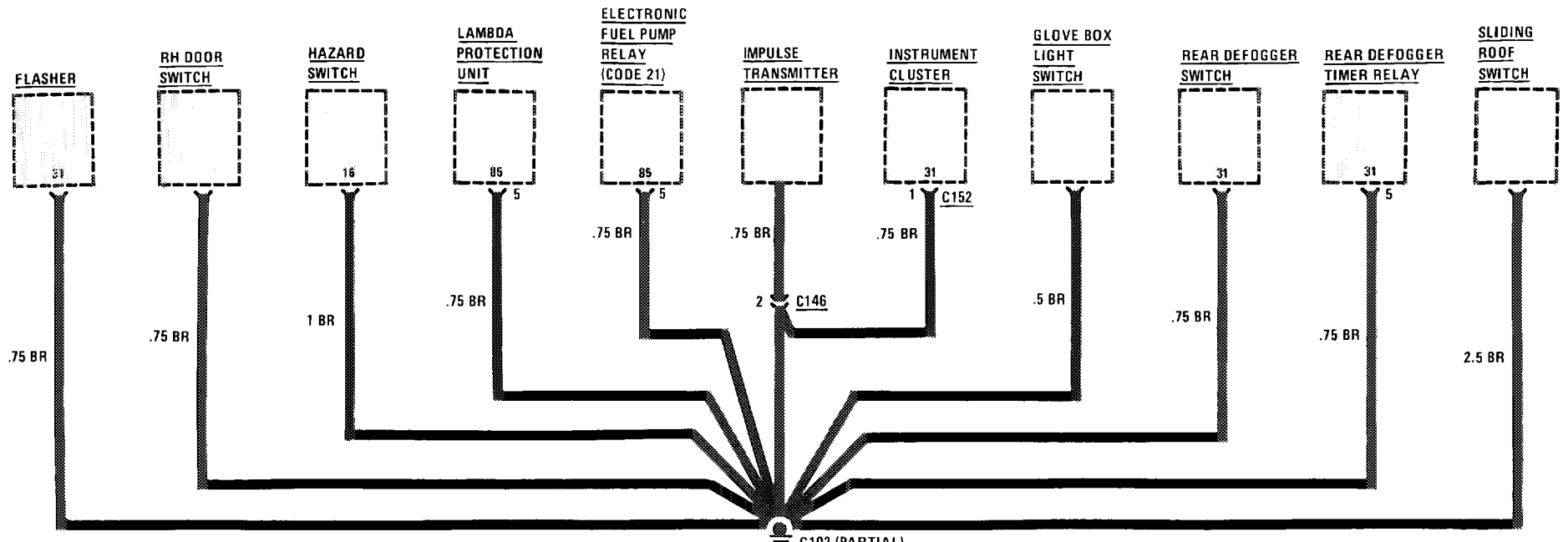


128
380
SL

GROUND DISTRIBUTION

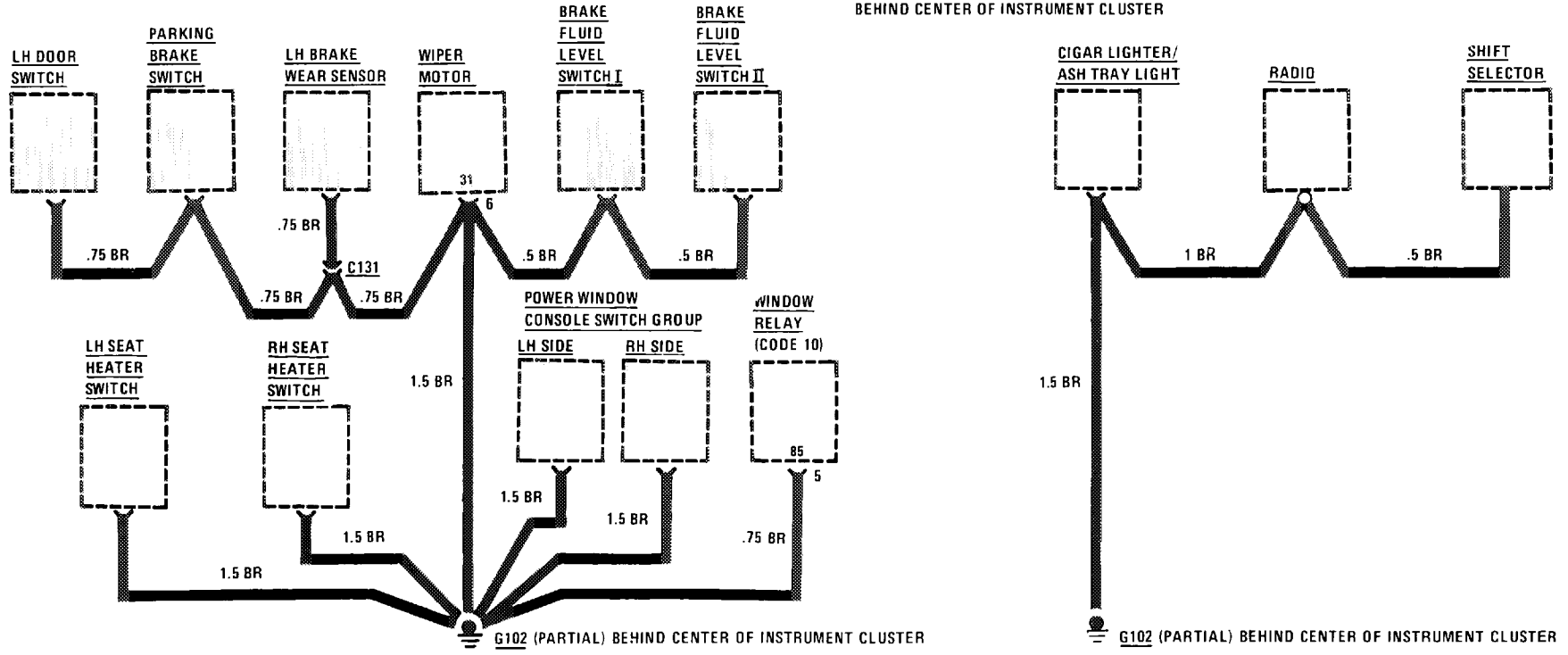


GROUND DISTRIBUTION



G102 (PARTIAL)
BEHIND CENTER OF INSTRUMENT CLUSTER

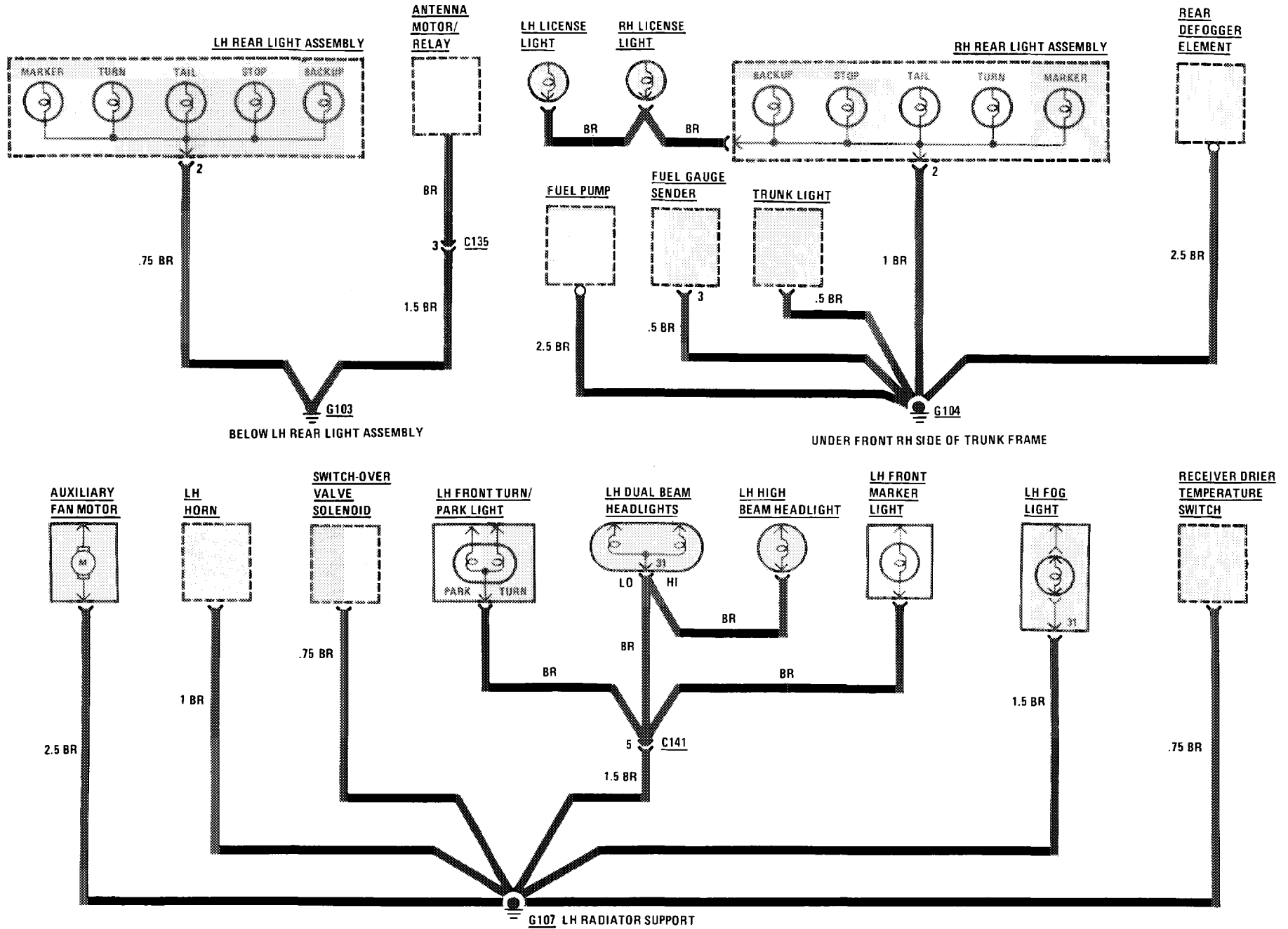
130
380
SL



G102 (PARTIAL) BEHIND CENTER OF INSTRUMENT CLUSTER

G102 (PARTIAL) BEHIND CENTER OF INSTRUMENT CLUSTER

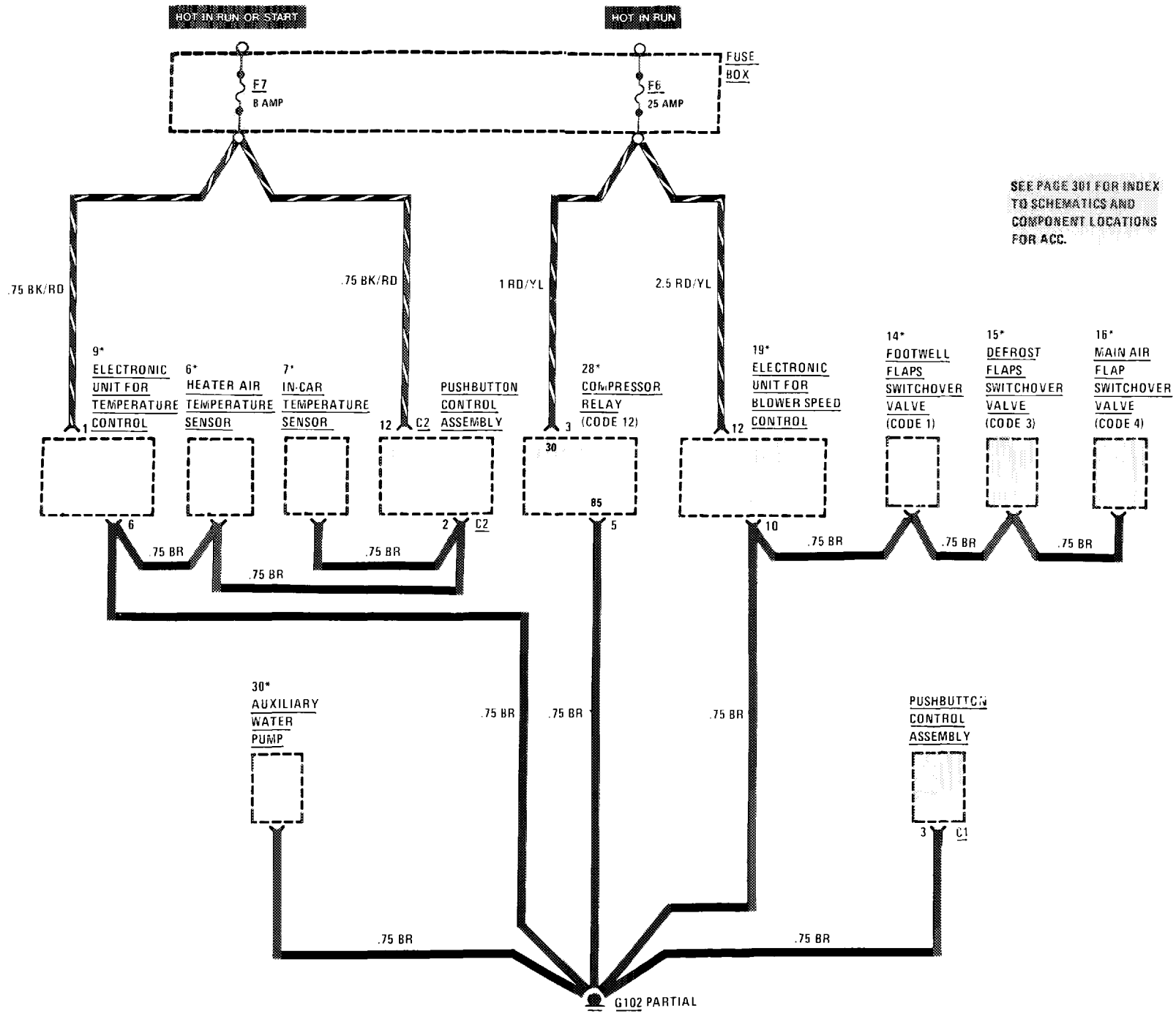
GROUND DISTRIBUTION



131
380
SL

AUTOMATIC CLIMATE CONTROL AND GROUND DISTRIBUTION

(For Component Locations See Page 334)



132
380
SL