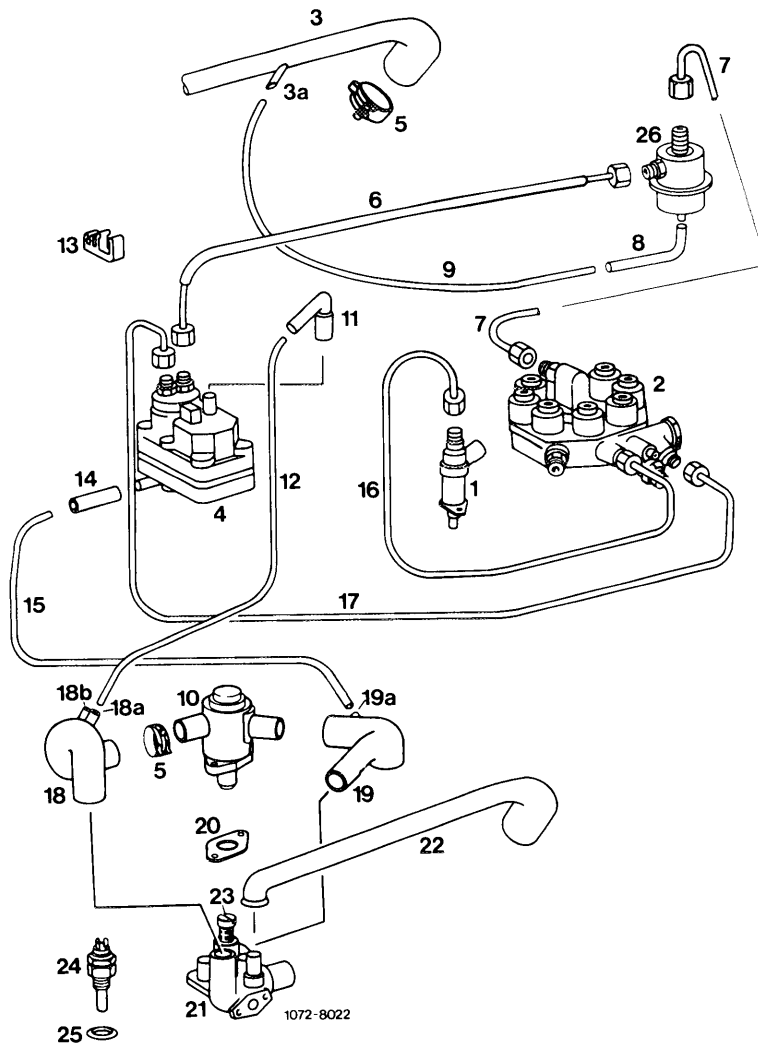


- 2 Fuel distributor
- 3 Injection lines
- 4 Plastic clip
- 5 Plastic clip
- 7 Hex. head screw
- 9 Fastening holder
- 10 Injection valve
- 11 Rubber ring
- 12 Plastic sleeve
- 13 O-ring
- 14 Air guide housing
- 15 Hose clamp
- 16 Rubber sleeve
- 17 Hose clamp
- 21 Throttle valve housing
- 22 Closing plug
- 24 O-ring
- 25 Air flow sensor
- 26 Contour ring
- 26a Lock
- 27 Regulator piston
- 28 Compression spring
- 29 Adjusting washers
- 30 O-ring
- 31 Copper sealing ring
- 32 Closing plug
- 33 Idle speed adjusting device

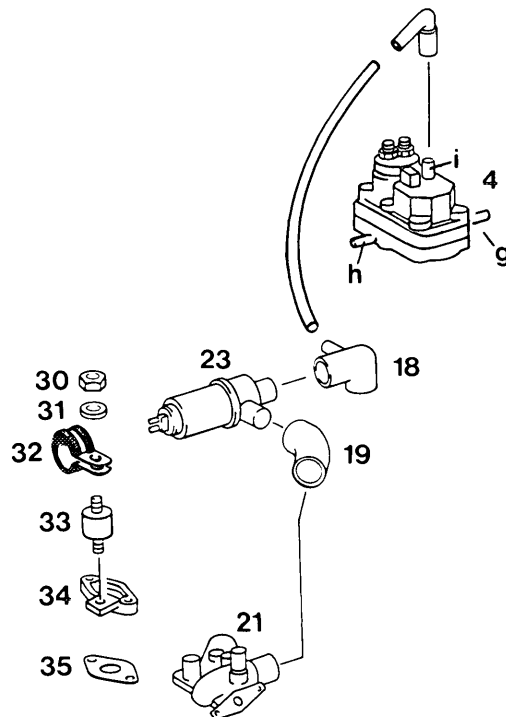


Prior to September 1981

- 1 Cold start valve
- 2 Fuel distributor
- 3 Contour hose for venting at righthand cylinder head cover
- 3a Leak connection
- 4 Warm-up compensator
- 5 Hose clamp
- 6 Control pressure line with Tecalan element
- 7 Control pressure line
- 8 Connecting hose
- 9 Leak line
- 10 Auxiliary air valve
- 11 Contour hose
- 12 Vacuum line
- 13 Plastic clip
- 14 Connecting hose
- 15 Leak line
- 16 Fuel line
- 17 Fuel line
- 18 Contour hose
- 18a Connection for full load enrichment
- 18b Connection for ignition retard
- 19 Contour hose
- 19a Connection for leak line
- 20 Gasket
- 21 Idle speed air distributor
- 22 Contour hose
- 23 Idle speed air screw
- 24 Thermo time switch
- 25 Sealing ring
- 26 Pressure damper

Starting September 1981

- 4 Warm-up compensator
- 18 Contour hose
- 19 Contour hose
- 21 Idle speed air distributor
- 23 Idle speed adjuster
- 30 Nut
- 31 Washer
- 32 Clamp
- 33 Vibration mount
- 34 Holder
- 35 Gasket
- g Connection upper chamber
- h Connection lower chamber
- i To contour hose (atmosphere)



1144 - 11556