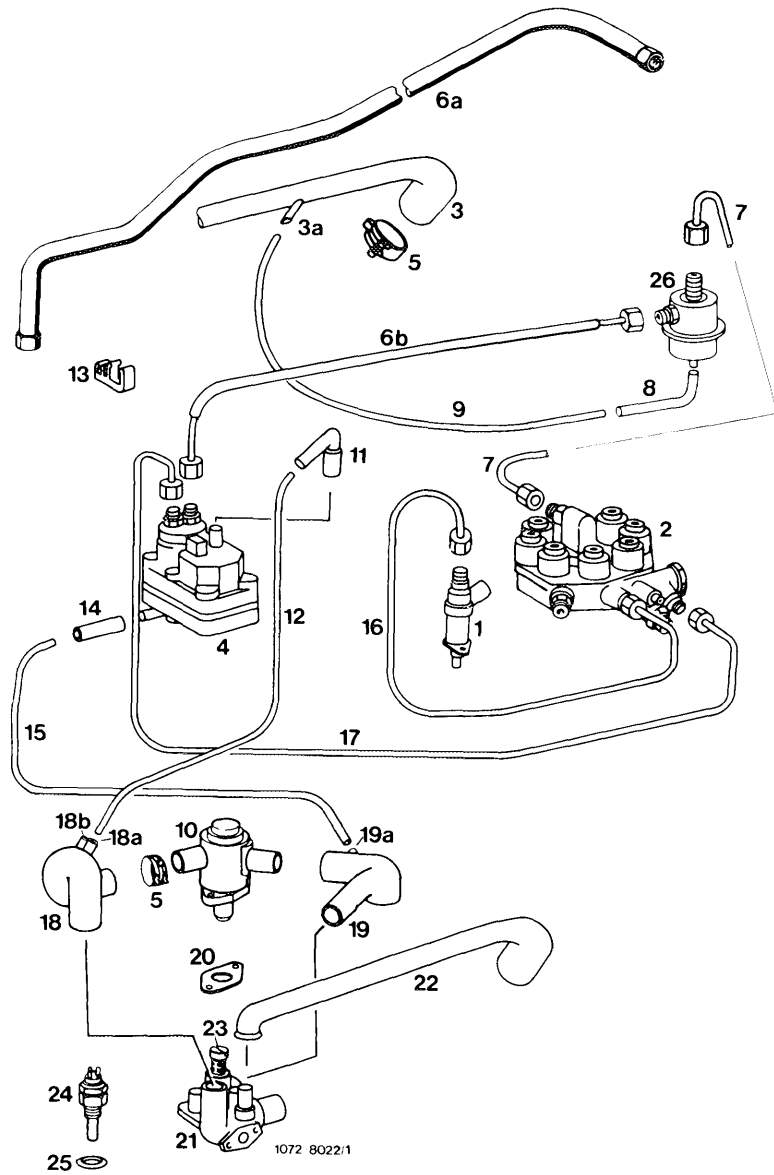


- 1 Cold-starting valve
- 2 Fuel distributor
- 3 Contoured hose for breather at righthand cylinder head cover
- 3a Leak connection
- 4 Warm-up compensator
- 5 Hose clip
- 6a Control pressure line of Tecalan – 1st version
- 6b Control pressure line with Tecalan insert – 2nd version
- 7 Control pressure line
- 8 Connecting hose
- 9 Leak line
- 10 Supplementary air valve
- 11 Contoured hose
- 12 Vacuum line
- 13 Plastic clip
- 14 Connecting hose
- 15 Leak line
- 16 Fuel line
- 17 Fuel line
- 18 Contoured hose
- 18a Connection for full load enrichment
- 18b Connection for ignition retard adjustment
- 19 Contoured hose
- 19a Connection for leak line
- 20 Gasket
- 21 Idle speed air distributor
- 22 Contoured hose
- 23 Idle speed air screw
- 24 Thermo-time switch
- 25 Sealing ring
- 26 Pressure damper



USA 1979

Connection for full load enrichment modified.

