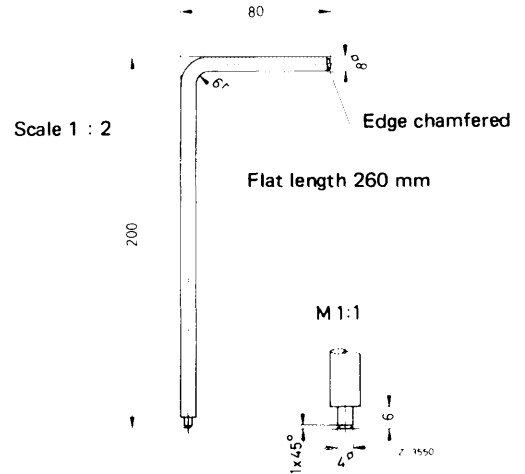


07.4—330 Removal and installation of accelerator pedal

Self-made tool

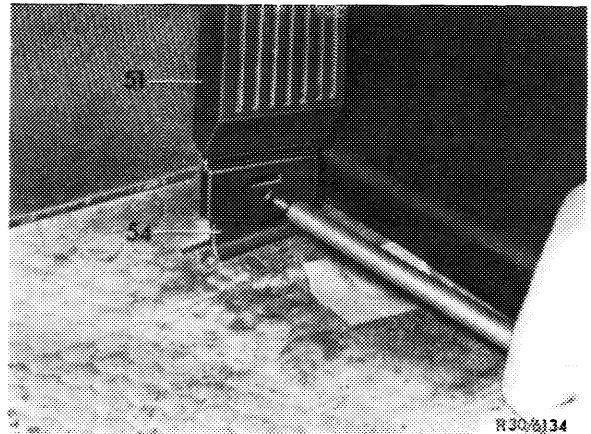
Removing mandrel for accelerator pedal



1st version

Removal

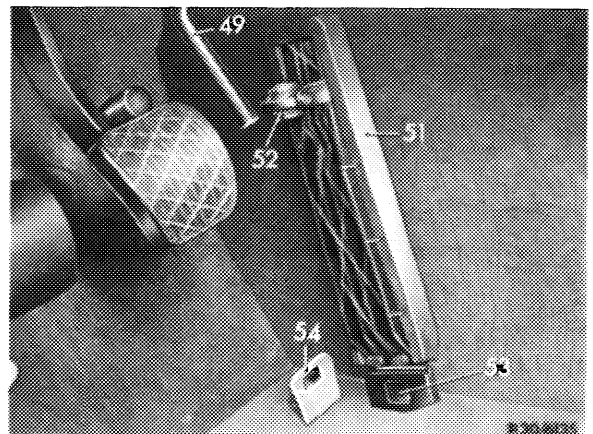
1 Remove accelerator pedal (51) from bearing plate (54). For this purpose, remove clip from bearing plate with removing mandrel. **Be sure to use removing mandrel**, so that clip (53) will not be damaged or stretched.



2 Pull accelerator pedal (51) in upward direction out of accelerator lever (49).

Installation

3 Slip accelerator pedal (51) with joint (52) into accelerator lever (49) and push tightly against bearing plate for reliable engagement of clip (53).



2nd version

Removal

Compress expanding clip (arrow) behind accelerator pedal and pull out.

Installation

During installation, make sure that expanding clip is reliably engaged.

