

14–150 Wiring diagrams

Model year 1972/73

Model 107.024/044

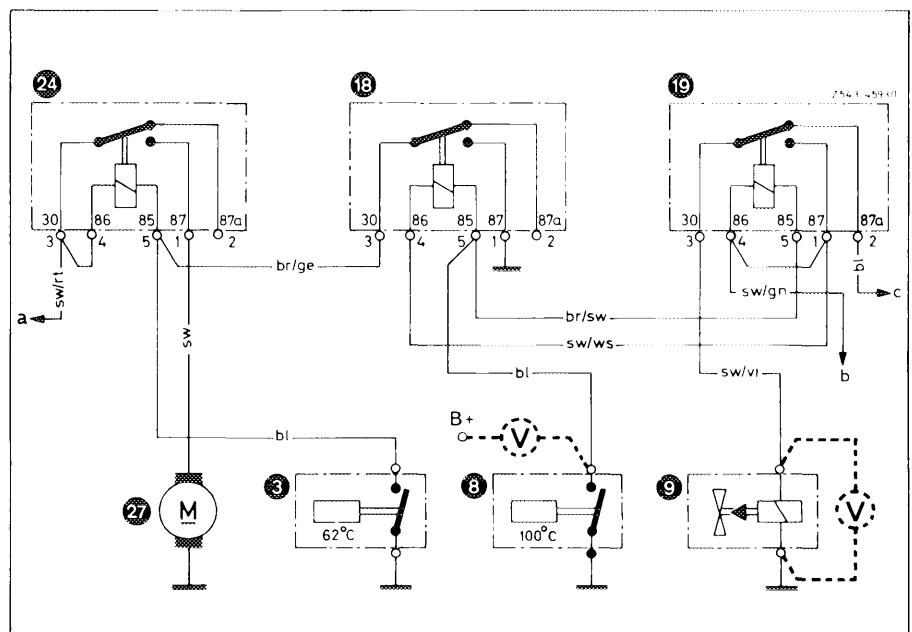
Drawn with ignition switched off.

Connection of test instruments is drawn in dashed lines.

Color code

bl = blue	gn = green	sw = black
br = brown	rs = pink	vi = purple
ge = yellow	rt = red	ws = white

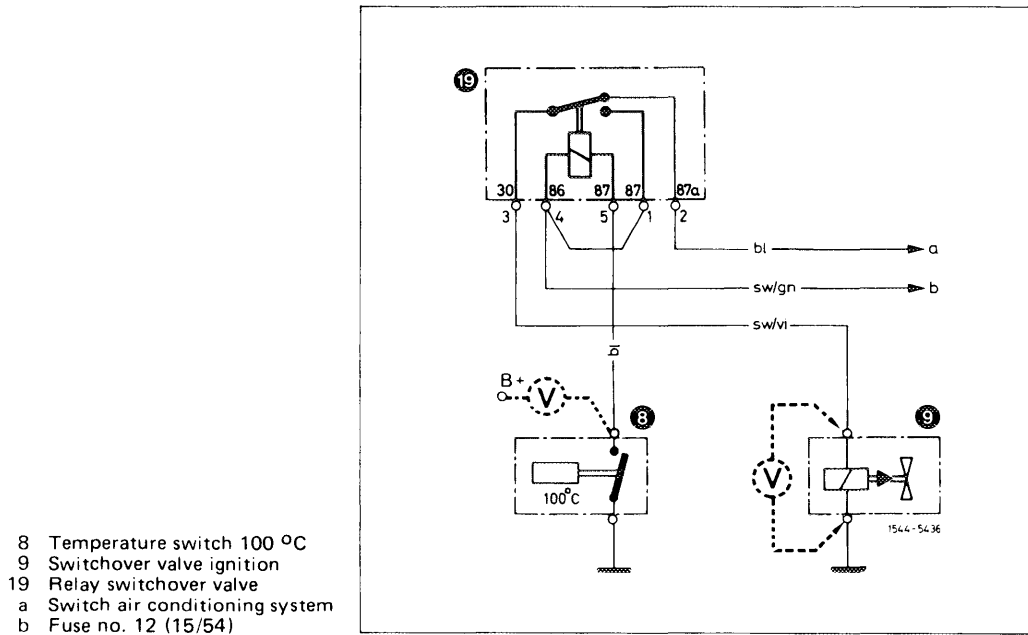
Circuit diagram and test



- | | | | |
|----|-------------------------------|---|--------------------------------|
| 3 | Temperature switch 62 °C | a | Fuse no. 9 (15/54) |
| 8 | Temperature switch 100 °C | b | Fuse no. 8 (15/54) |
| 9 | Switchover valve | c | Switch air conditioning system |
| 18 | Relay air conditioning system | | |
| 19 | Relay switchover valve | | |
| 24 | Relay supplementary fan | | |

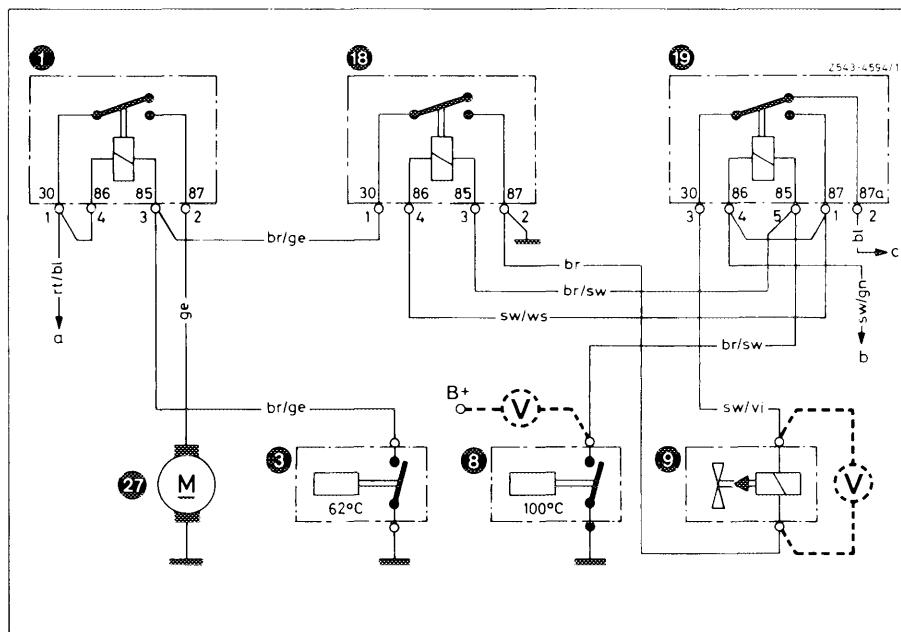
Model 107.024/044

Ignition switchover



Model 108.067/068, 109.057

Circuit diagram and test



- | | |
|----------------------------------|--------------------------------------|
| 1 Relay supplementary fan | a Supplementary fuse box fan (15/54) |
| 3 Temperature switch 62 °C | b Fuse no. 6 (15/54) |
| 8 Temperature switch 100 °C | c Switch air conditioning system |
| 9 Switchover valve | |
| 18 Relay air conditioning system | |
| 19 Relay switchover valve | |
| 27 Supplementary fan | |

