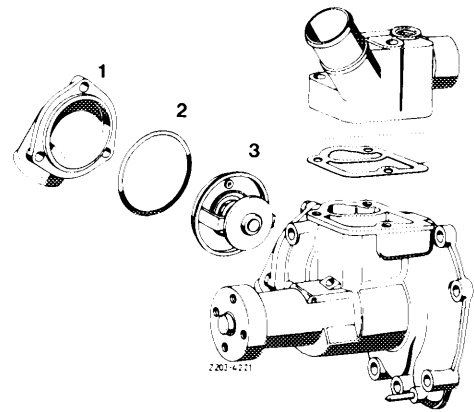


Removal

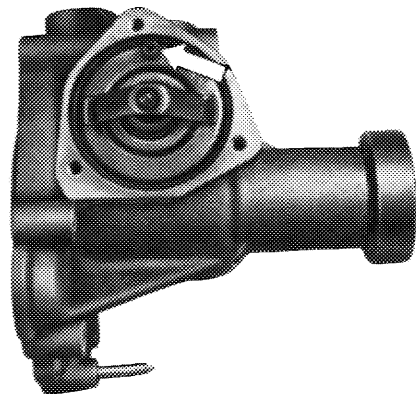
- 1 Drain coolant from radiator and cylinder crankcase (20-010).
- 2 Unscrew housing cover (1) and remove thermostat (3).

Note: On engine 116.981/991 and 117.981 disconnect battery as an additional job, and also remove air cleaner and alternator.



Installation

- 3 Install thermostat with a new sealing ring (2) in such a manner that the ball valve is on top (arrow). During installation, make sure of unobstructed mobility of ball in valve.
- 4 Add coolant (20-010).
- 5 Run engine and check for leaks.



R 20-5053