

47–700 Removal and installation of fuel tank

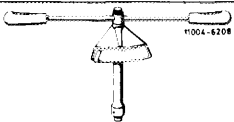
Filling capacities in liters

Model	107	116
Full readout	approx. 90	approx. 96
Warning lamp – reserve	11–13	

Tightening torques

	Nm	
Fastening screws or fastening nuts for fuel tank	17–25	
Immersion tube transmitter	35–43	
Fuel strainer		

Special tool

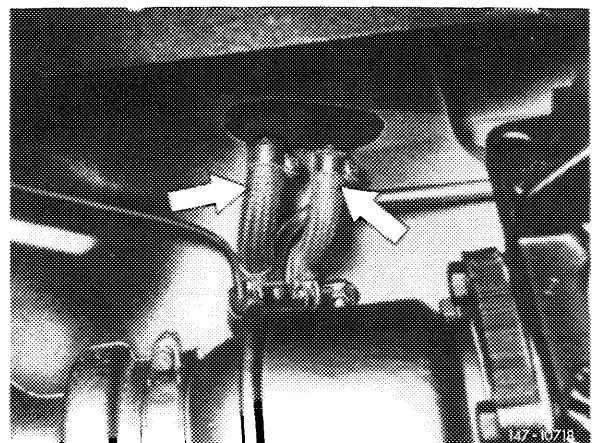
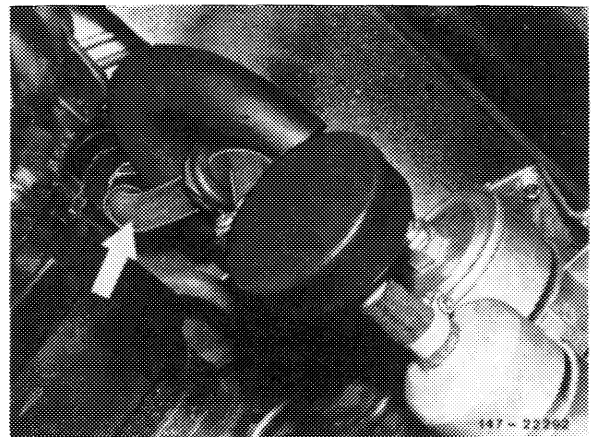
Torque wrench double-arm, 15–65 Nm		000 589 27 21 00
------------------------------------	---	------------------

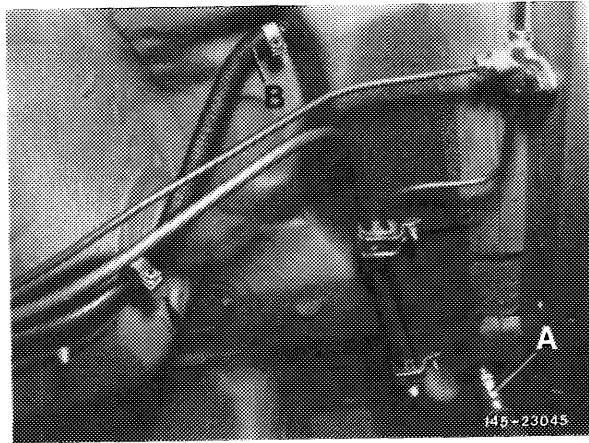
Attention!

Pay attention to safety rules when removing fuel tank.

Removal

- 1 Disconnect grounding line on battery.
- 2 Drain fuel tank. For this purpose, carefully pump off fuel, so that no residual fuel remains in fuel tank.
- 3 Loosen suction hose, return hose and vent hose (arrows). Catch residual fuel in hoses. Close hoses and connections.

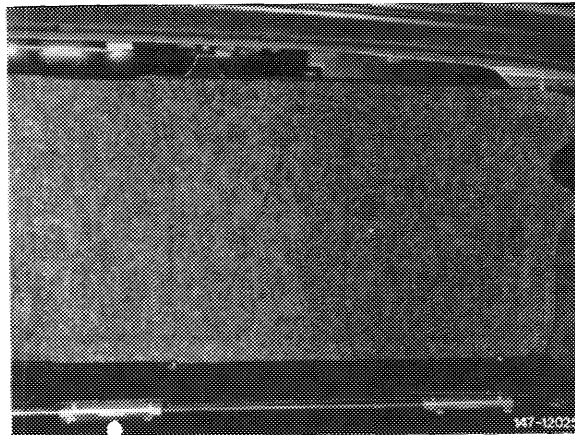




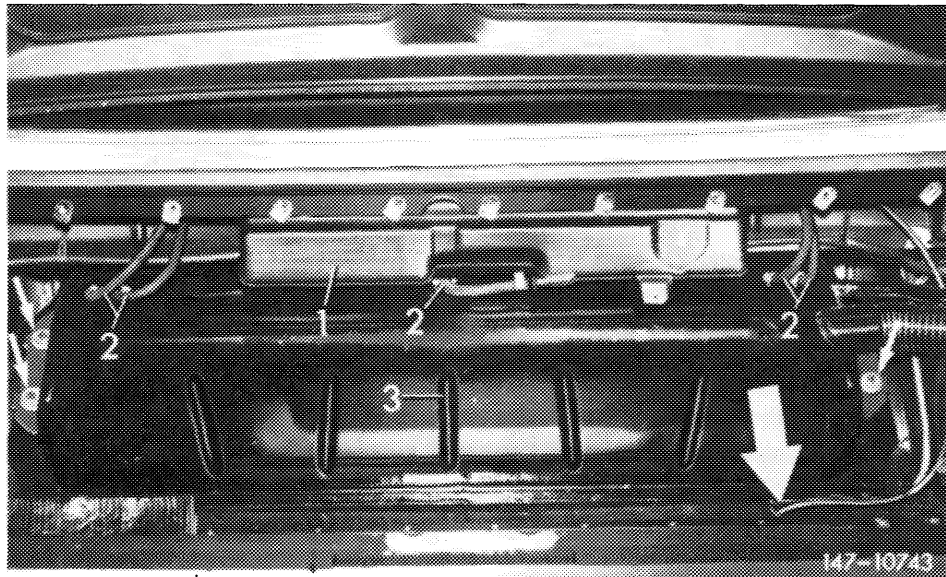
Model 107.04
 A Forward flow
 B Return flow

- 4 Remove trunk mat.
- 5 Unscrew back wall and remove.

Note: On model 107.04, remove fuel expansion tank (refer to job no. 47-705).

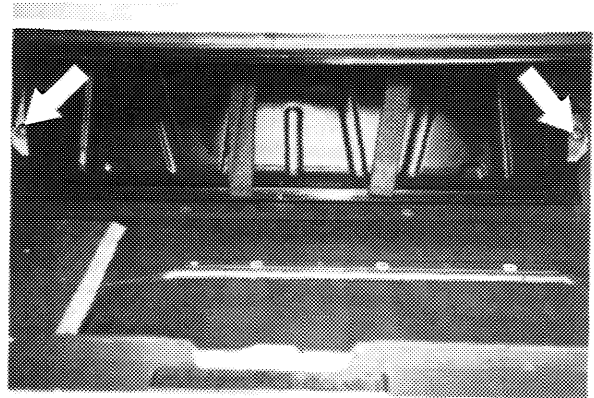


Model 107.02, 116



Model 107.04
 1 Expansion tank
 2 Fuel hoses
 3 Fuel tank
 Arrow = vent line

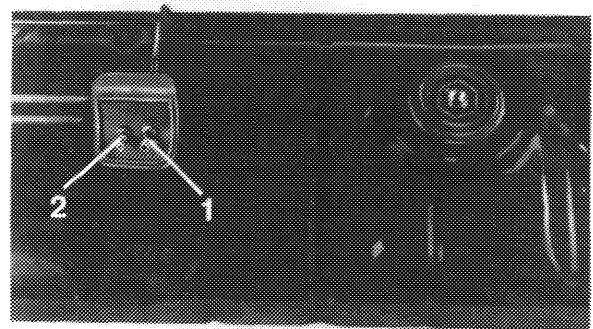
- 6 Unscrew fastening nuts (arrows).
- 7 Slightly pull out fuel tank and pull off coupling for fuel gauge.
- 8 Remove fuel tank.



147-10715

Installation

- 9 Install fuel tank in vice versa sequence, paying attention to the following items:
 - a) Glue-down both gaskets on underside of fuel tank with MB-universal glue, part no. 000 989 92 71. For installation, coat both gaskets after sealing surface or bead with sliding compound (talcum, wax or the like).

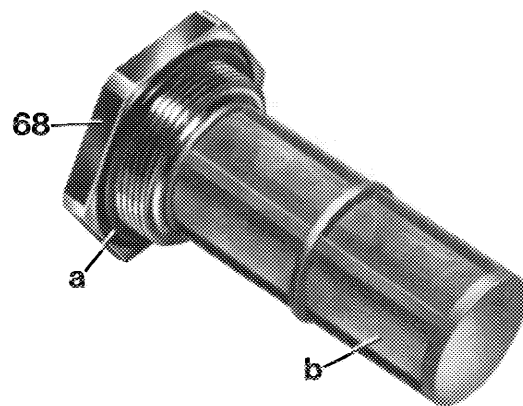


147-16744

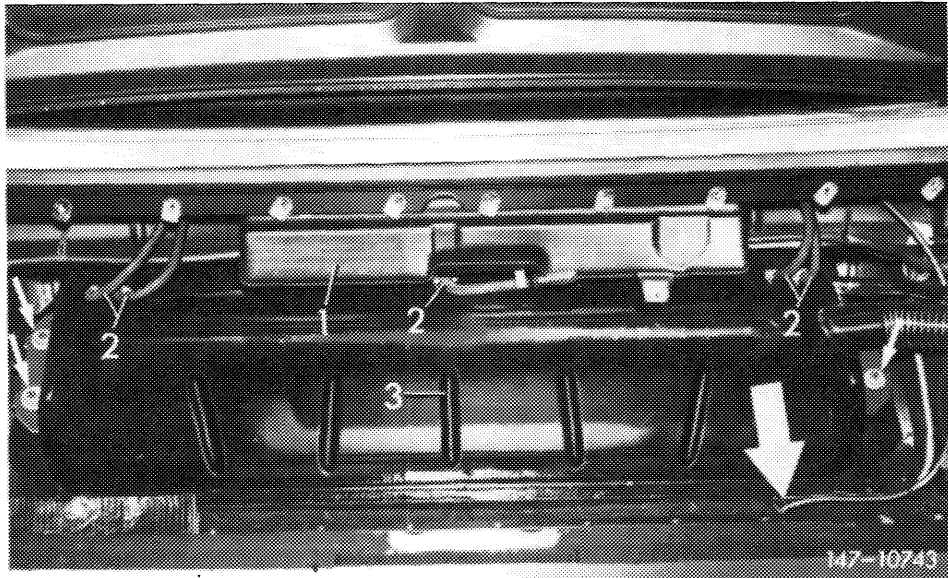
Model 107.02, 116

- 1 Vent line
- 2 Fuel return line

- b) Check whether damping strips on fuel tank are tight, glue down with MB-universal glue, part no. 009 989 92 71, if required.
- c) Blow out filter and check for damage. Renew sealing ring (a). Tighten fuel filter (68) to 35–43 Nm.
- d) Mount fuel tank with reinforcing sheet metal and washers provided. Tighten fastening nuts to 17–25 Nm.
- e) Pay attention to correct seat of rubber sleeve on fuel filler neck.
- f) Plug-on coupler for fuel gauge and check for function (grounding line on battery connected).
- g) Check fuel hoses and renew, if required.
- h) For installing expansion tank (model 107.04), displace vent line behind filler neck first.
- i) When tightening hose clamps, apply counterhold to connections of expansion tank (model 107.04).
- j) Plug-on protective sleeve at end of vent line (model 107.04).
- k) Check fuel system for leaks.



147-17012/1



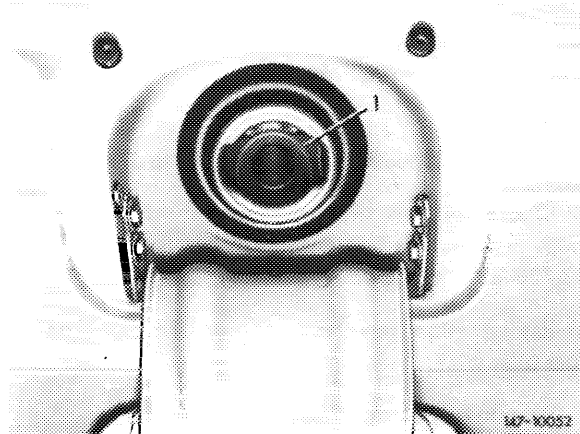
Model 107.04

- 1 Expansion tank
 - 2 Fuel hoses
 - 3 Fuel tank
- Arrow = vent line

147-10743

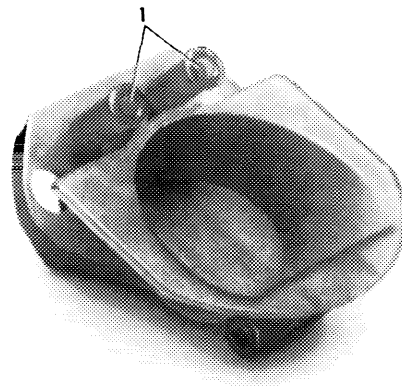
USA starting 1976

Due to the small fueling guns for unleaded gasoline, these vehicles are provided with a guide funnel (1) in filler neck.



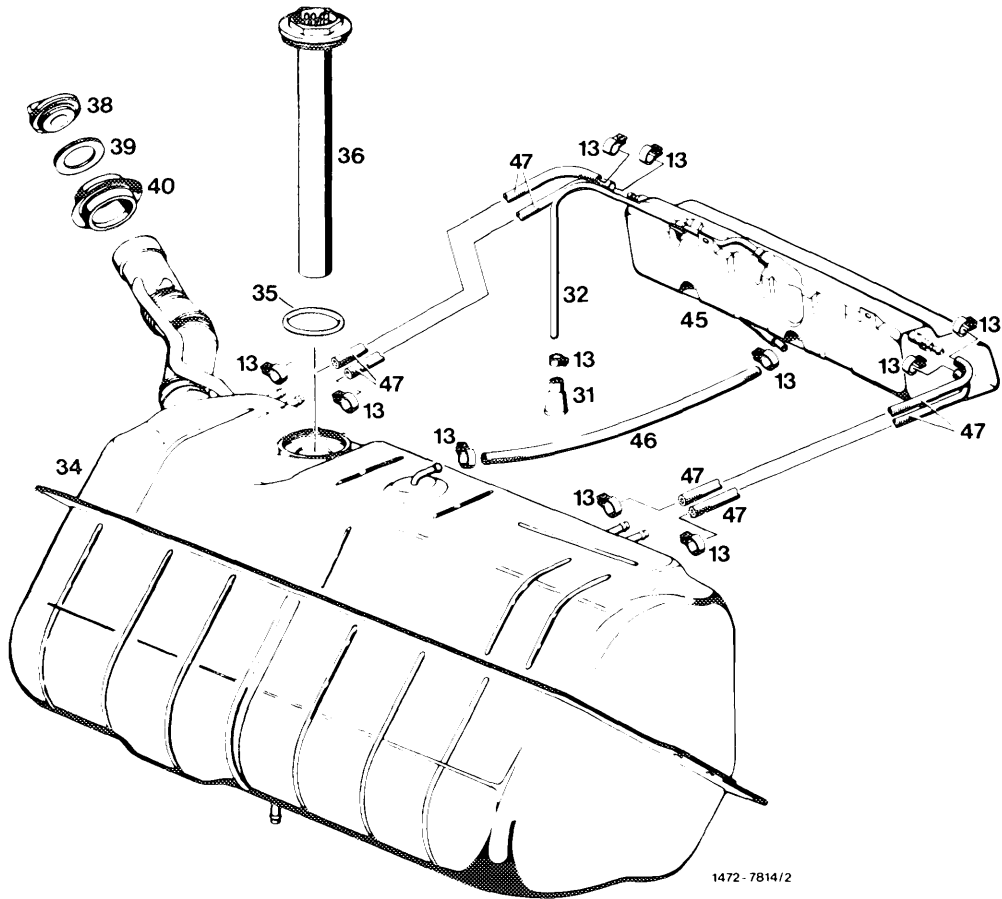
147-10032

If a fuel tank is renewed on these vehicles, simultaneously install a guide funnel **on USA vehicles only**. For this purpose, prior to assembly of fuel tank, place guide funnel into filler neck and knock fastening rivets (1) in up to stop by means of a punch.



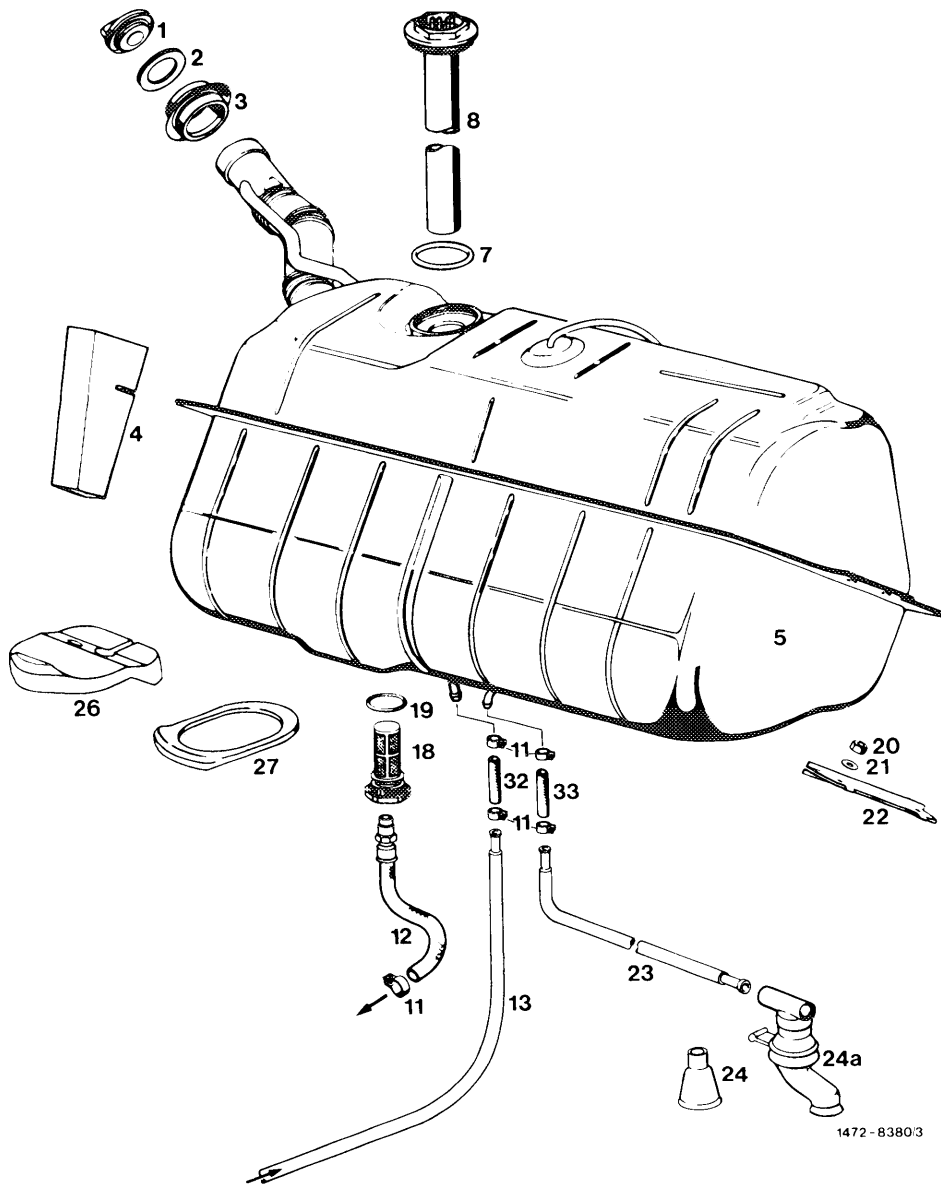
147-10021

Fuel tank positive and negative venting system model 107.04



- | | |
|-------------------------------|-------------------|
| 13 Hose clamps | 38 Closing cover |
| 31 Protective sleeve | 39 Gasket |
| 32 Vent line | 40 Rubber grommet |
| 34 Fuel tank | 45 Expansion tank |
| 35 Sealing ring | 46 Fuel hose |
| 36 Immersion tube transmitter | 47 Fuel hose |

Fuel tank model 107.02, 116



- | | | |
|------------------------------|-----------------------|--------------------------------|
| 1 Filler cap | 12 Fuel forward flow | 24 Venting sleeve 1st version |
| 2 Seal | 13 Fuel return flow | 24a Venting sleeve 2nd version |
| 3 Rubber sleeve | 18 Fuel filter | 26 Gasket |
| 4 Damping shim | 19 Sealing ring | 27 Gasket |
| 5 Fuel tank | 20 Nut | 28 Fuel hose |
| 7 Sealing ring | 21 Washer | 33 Fuel hose |
| 8 Immersion tube transmitter | 22 Reinforcing member | |
| 11 Hose clamp | 23 Vent line | |