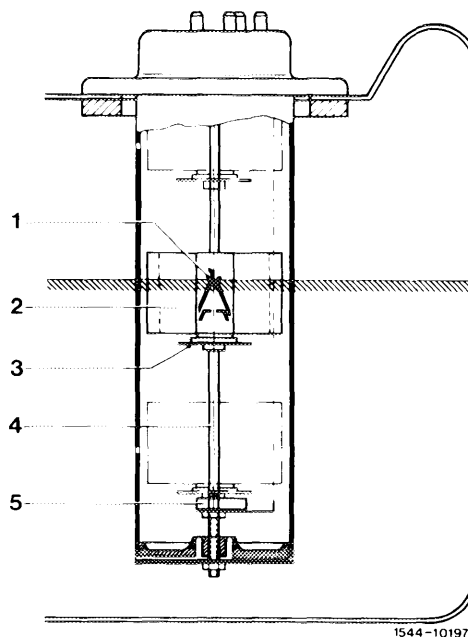


47-715 Operation of immersion tube transmitter for fuel gauge

All models

When the fuel level drops, the sliding contact (1) on float (2) of immersion tube transmitter increases the resistance value, the voltage will drop and the indicator needle in instrument will move back.

When the fuel level drops still further, the reserve warning contact (5) in immersion tube transmitter is closed and the reserve warning lamp will light up.

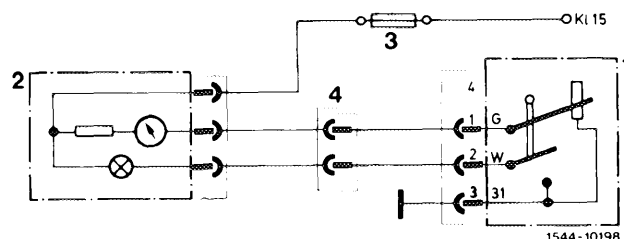


Immersion tube transmitter
 1 Sliding contact
 2 Float
 3 Contact plate
 4 Guide and contact bar
 5 Reserve warning contact

1544-10197

The indicating instrument (gauge) and the reserve warning light are energized via fuse when the ignition is switched on.

Check fuel gauge (54-269).



Sedan
 1 Immersion tube transmitter
 2 Fuel indicator (gauge)
 3 Fuse
 4 Cable connector tail lamp harness

1544-10198