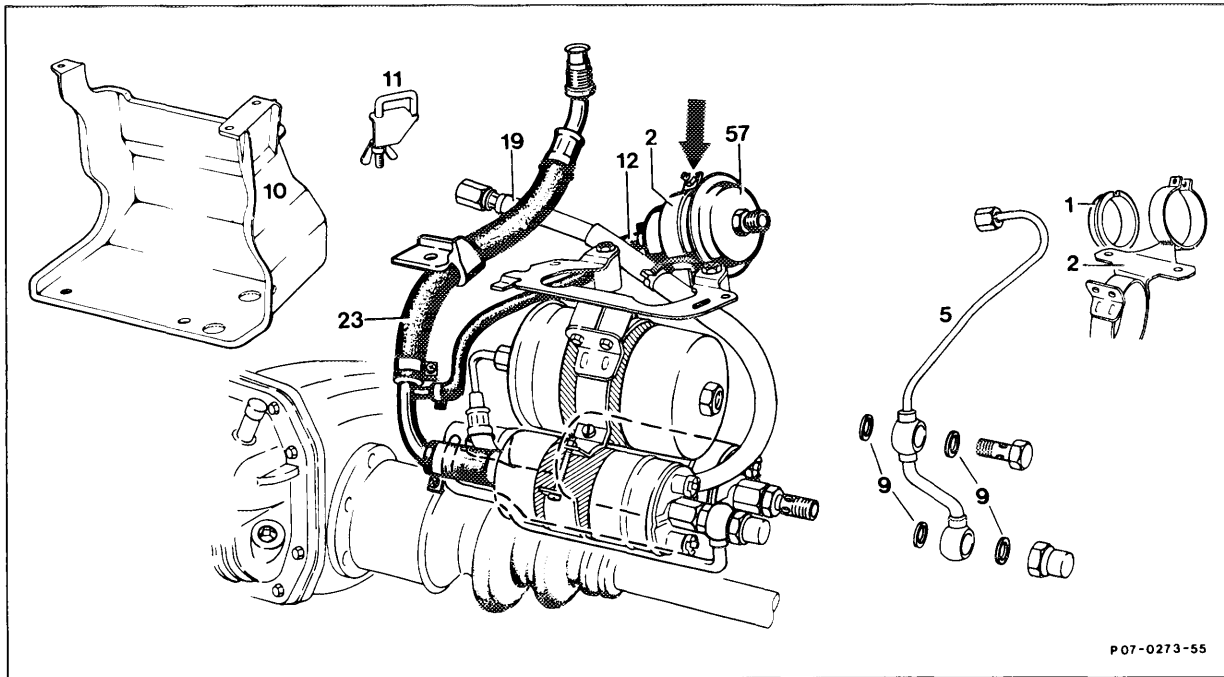
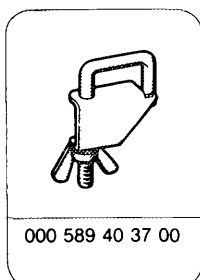


07.3-270 Removal, reinstallation of fuel accumulator



| | |
|--|---|
| Pressure in fuel tank | release by opening screw cap. |
| Battery | disconnect, reconnect. |
| Protective box (10) | unscrew, screw on. |
| Fuel suction and delivery hoses (23, 19) | pinch with clamp (11) and remove. Special tool 000 589 40 37 00 |
| Fuel line (5) | unscrew from fuel storage unit (57), fuel pump and fuel filter. |
| Leak-off hose (12) | loosen and pull off. |
| Mounting screw (arrow) | loosen from bracket (2) and remove fuel storage unit (57). Observe spacer ring (1) in bracket (2). |
| Sealing rings | renew. |
| Engine, run | check for leaks. |

Special tool



000 589 40 37 00